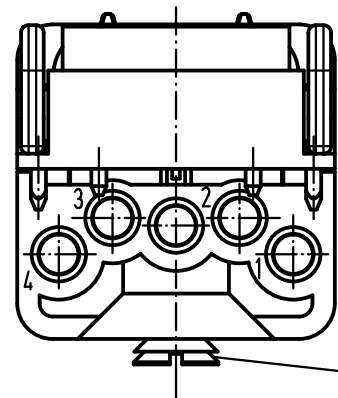
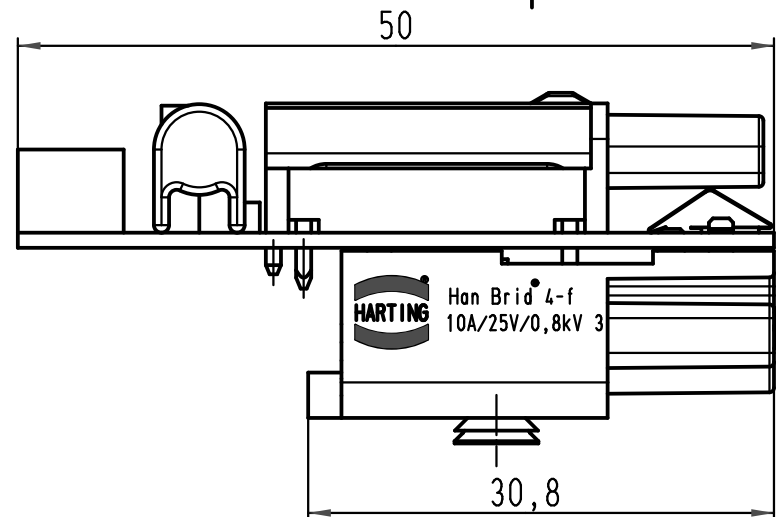
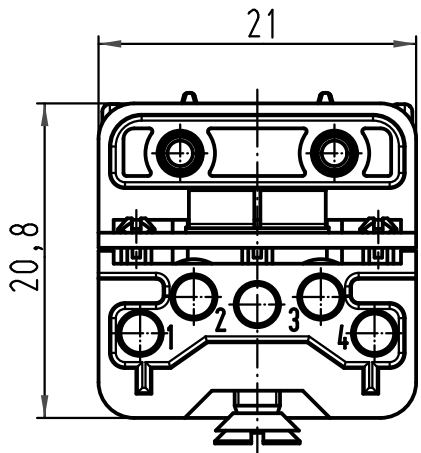
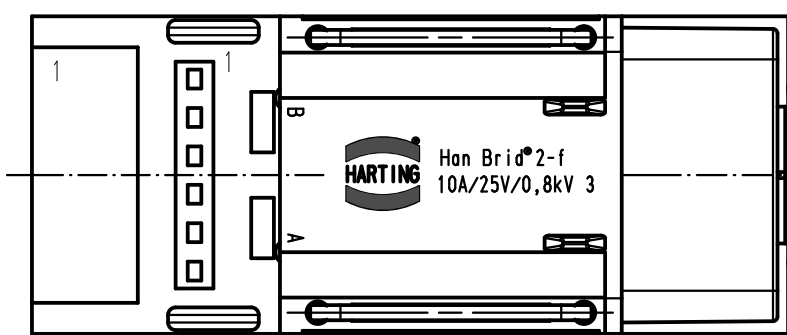


A  
B  
C  
D



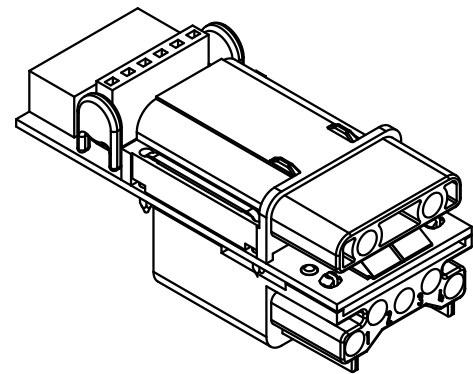
Senkschraube M3x6  
lose beigelegt  
countersunk screw M3x6  
enclosed separately



Masse: Elektronikkasse  
mass: *elektronic ground*  
Schirm: Kapazitive Schirmanbindung zur  
Elektronikkasse  
*shielding: capacitive termination of the shielding  
towards the electronic ground*

A,B: Daten  
A,B: *data*

| Signal<br><i>signal</i>                       | Masse<br><i>mass</i> | Schirm<br><i>shielding</i> | A | B |
|---|----------------------|----------------------------|---|---|
| Schneidklemmanschluss<br><i>IDC</i>           | 3,4,7,8              | 1,2,9,10                   | 6 | 5 |
| Pfostensteckverbinder<br><i>board stacker</i> | 2,5                  | 1,6                        | 4 | 3 |



|   |                   |          |   |  |     |   |
|---|-------------------|----------|---|--|-----|---|
| All Dimensions in mm<br>Original Size DIN A 4 | Techn. Character. |          |   | Nicht tolerierte Maßel <i>Free size tolerances</i> |     |   |
|   |                   | Dat.     | Name  | Maßstab/ <i>Scale</i>                              | 2:1 | Han Brid-bu+Cu-Bus<br>Geräteseite / <i>device side</i>  |
|   | Detail.           | 27.11.02 | Gü  |  |     |   |
|   | Insp.             |          | HERB.   |  |     | TB 09 12 006 2701<br>Sub. TB SK Han 0354/19 v. 18.01.99 |
| 414092  | 21.08.08          | Bor      | Stand.  |  |     |   |
| 412969  | 04.06.07          | Ho       |   |  |     |   |
| 410249  |                   |          |   |  |     |   |
| Mod.  | Dat.              | Name     | HARTING Electric GmbH & Co. KG<br>D-32339 Espelkamp |  |     | Blatt/ <i>page</i><br>/                                 |