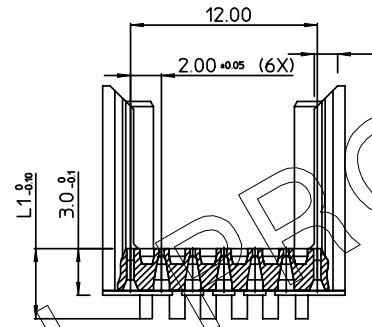
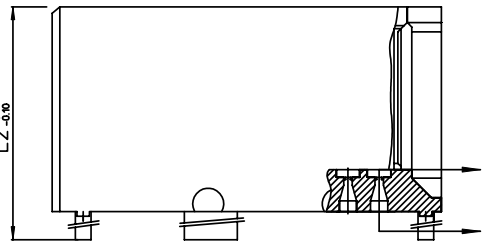
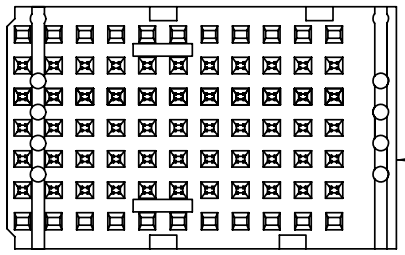
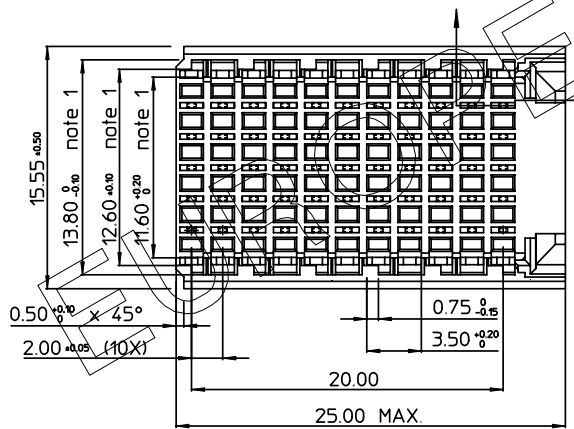


REV.	DATE	DESCRIPTION	BY	C'K'D'
B	2005-11-22	105-0241	ALEX B	BKP
C	2006-06-26	106-0091	ALEX B	BKP
D	2006-07-04	106-0096	VIVEK	BKP
HM2H09P1 ADDED				

- NOTES:
1. MEASURED AT THE BOTTOM
 2. MATERIAL: GLASSREINFORCED POLYESTER UL94 - V0
 3. THE 'LF' PRODUCT MEETS EUROPEAN UNION DIRECTIVES AND OTHER COUNTRY REGULATIONS AS DESCRIBED IN GS-22-008.
 4. PARTS WITH AND WITHOUT SUFFIX LF TO THE PRODUCT PART NUMBER ARE IDENTICAL IN FORM, FIT AND FUNCTION. LF SUFFIX IS ADDED TO THE PART NUMBER OF THIS PRODUCT TO HAVE UNIFORM IDENTIFICATION OF ALL RoHS COMPATIBLE PRODUCTS.



RoHS COMPATIBLE (DIGIT 11 & 12)
 HM2H09P1--LF
 STANDOFF HEIGHT INDICATOR



PART NUMBER	L1	L2	
HM2H09P1LF	3.0	13.45	AVAILABLE
HM2H09P109LF	3.9	14.35	AVAILABLE
HM2H09P111LF	4.1	14.55	AVAILABLE
HM2H09P113LF	4.3	14.75	AVAILABLE
HM2H09P115LF	4.5	14.95	AVAILABLE
HM2H09P117LF	4.7	15.15	AVAILABLE
HM2H09P119LF	4.9	15.35	AVAILABLE
HM2H09P122LF	5.2	15.65	AVAILABLE
HM2H09P130LF	6.0	16.45	AVAILABLE

1DEC ±0.2 2DEC ±0.1 ANGLES ±1°	APPR.	DATE	SIGN.	HM2 HEADER (TYPE C) WITH PRESS-FIT CAVITIES
WE RESERVE THE RIGHT TO CHANGE DIMENSIONS OR REQUIREMENTS WITHOUT PRIOR NOTICE.	DRAFT	1995-12-14	W. Panis	CAT. No. HM2H09P1--LF
	CHECKED			
	PROD. MGR.			www.fciconnect.com
	PR. ENG. MGR.			
ALL DIMENSIONS IN MM	PR. MGT. MGR.			

REFERENCES		BS,C ,201630,031	D
		DRAWING No.	CUSTOMER DRAWING
		REVISION	

THIS IS OUR EXCLUSIVE PROPERTY. IT IS NOT TO BE COPIED, REPRINTED OR DISCLOSED TO A THIRD PARTY, NOR USED FOR MANUFACTURING WITHOUT OUR WRITTEN CONSENT, AND HAS TO BE RETURNED TO US IN CASE OF NO USAGE.

DIT IS ONZE EIGENDOM EN MAG MOCH NAGEMAAKT, HERDRIKT, OVERGEMAAKT AAN DERDEN, MOCH VOOR FABRIKATIE GEBRUIKT WORDEN, ZONDER ONZE SCHRIFTELIJKE TOELATING. BIJ NIET GEBRUIK IS TERUGZENDING VERPLICHT.