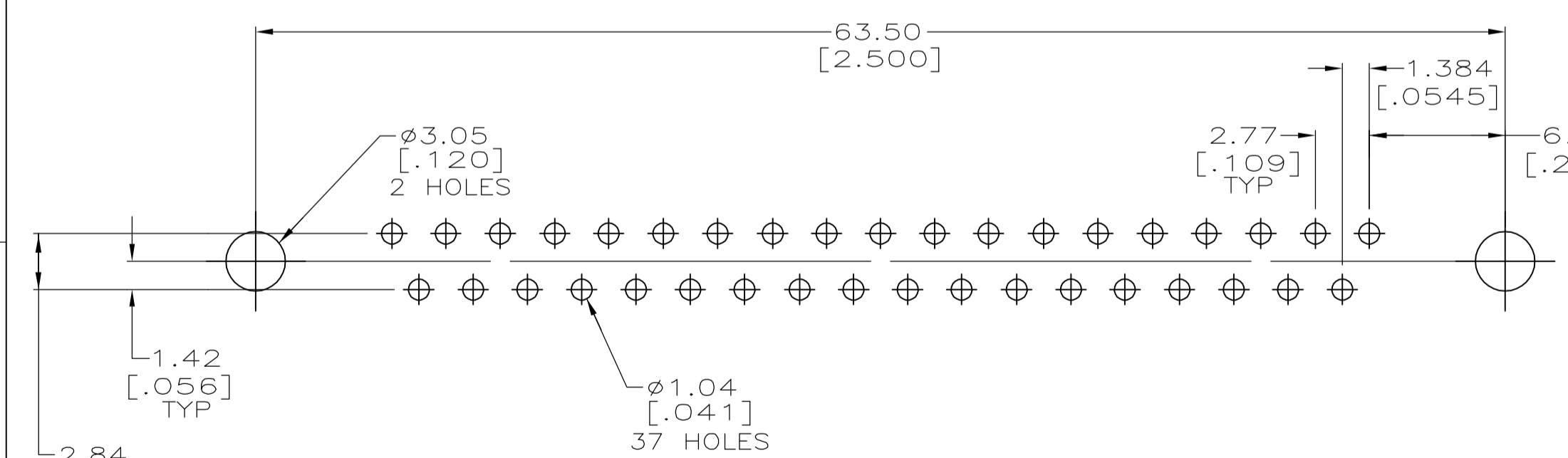
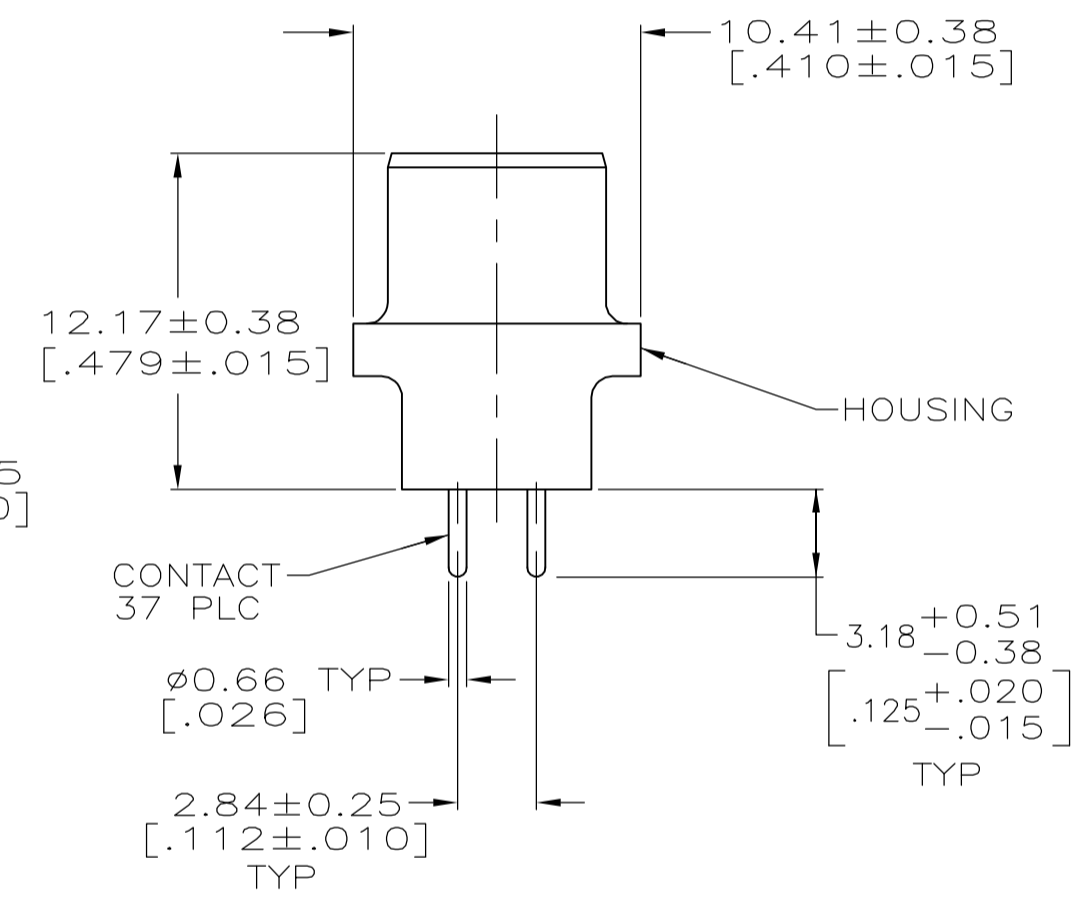
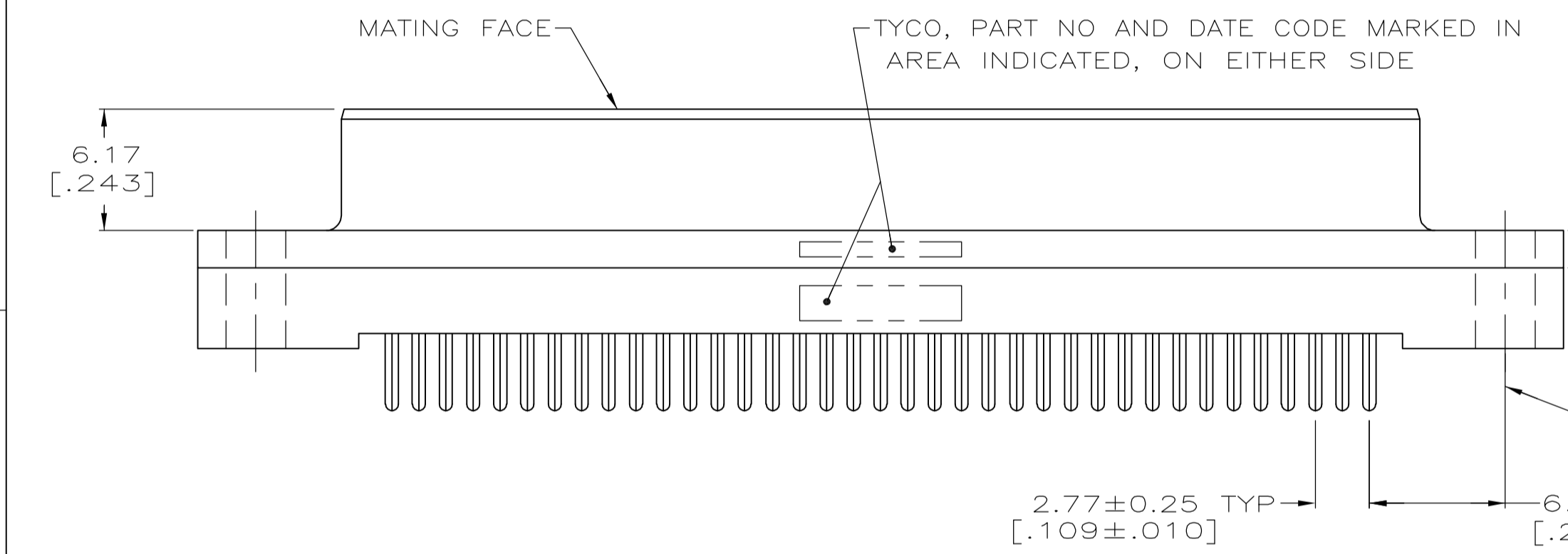


| | | | | | | | |
|-----|------|-----------|-----|------------------------------|---------|-----|------|
| LOC | DIST | REVISIONS | | | | | |
| GP | 00 | P | LTR | DESCRIPTION | DATE | DWN | APVD |
| | | 0 | | RELEASED PER EC 0513-0087-05 | 08SEP05 | GP | JG |

- 1 HOUSING: BLACK POLYESTER, UL 94V-0 RATED. CONTACTS: PHOSPHOR BRONZE.
- 2 CONTACTS: 0.76 μm [0.00030] MIN GOLD FOR A LENGTH OF 2.54 [0.100] MIN FROM MATING END, 2.54 μm [0.00100] MIN TIN FOR A LENGTH OF 3.18 [0.125] FROM OPPOSITE END, ALL OVER 1.27 μm [0.00050] MIN NICKEL.



RECOMMENDED PC BOARD MOUNTING DIMENSIONS

**COPYRIGHT 2005
TYCO ELECTRONICS CORP
ALL RIGHTS RESERVED**

5207829-4
PART NO

| | | | | | | | | | |
|--|----------------|------------------|------------|------------------|------|---|-----------|------------|---------------|
| THIS DRAWING IS A CONTROLLED DOCUMENT. | | DWN | G.PETERS | 08SEP05 | | Tyco Electronics Corporation Harrisburg, Pa 17105-3608 | | | |
| DIMENSIONS: mm [INCHES] | | CHK | S.BOLASH | 08SEP05 | | RECEPTACLE ASSEMBLY, SIZE 4, 37 POSN, VERTICAL, AMPLIMITE HD-20 | | | |
| TOLERANCES UNLESS OTHERWISE SPECIFIED: | | APVD | M.WALMSLEY | 08SEP05 | NAME | 108-40025 | | | |
| 0 PLC | ± - | PRODUCT SPEC | | APPLICATION SPEC | | SIZE | CAGE CODE | DRAWING NO | RESTRICTED TO |
| 1 PLC | ± - | APPLICATION SPEC | | - | | A2 | 00779 | G-5207829 | - |
| 2 PLC | ± 0.13 [0.005] | MATERIAL | | WEIGHT | | CUSTOMER DRAWING | | SCALE | SHEET |
| 3 PLC | ± - | FINISH | | - | | 4:1 | | 1 | OF 1 |
| 4 PLC | ± ± 2' | 1 | | 2 | | 1 | | REV | 0 |