

4

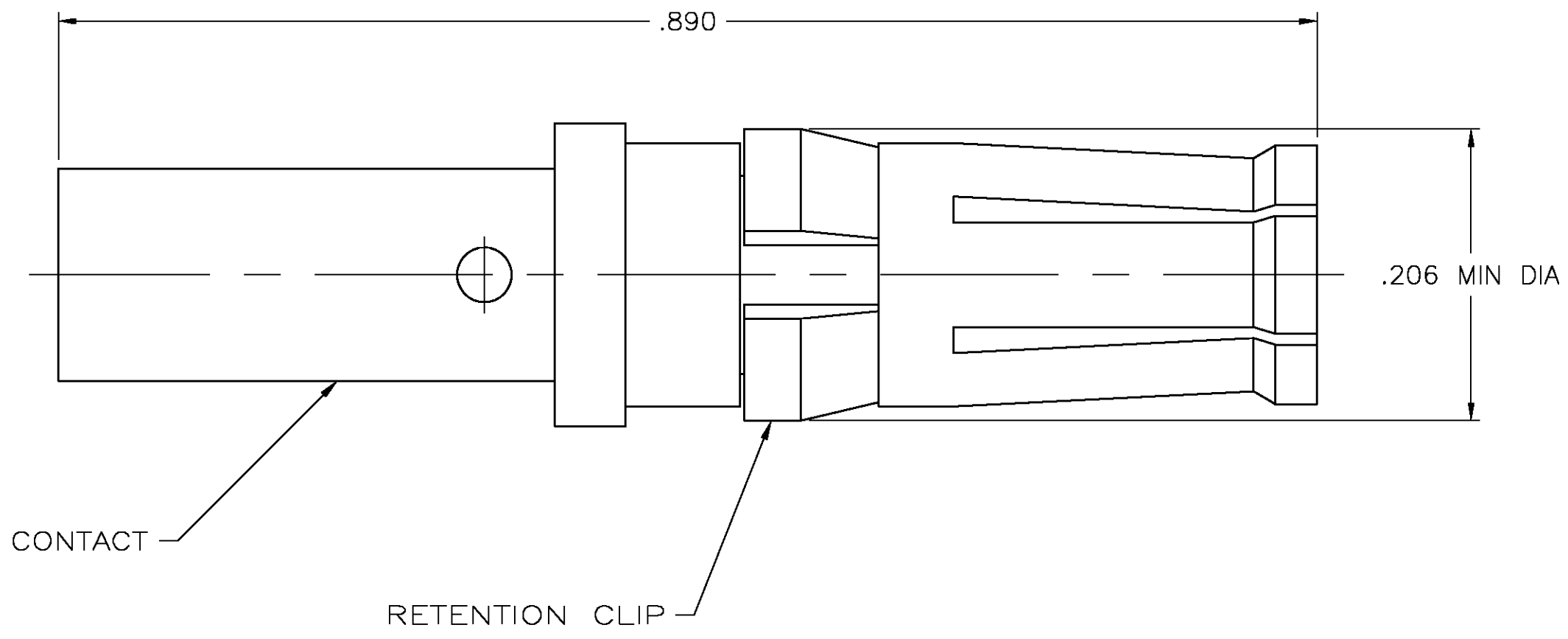
3

2

1

THIS DRAWING IS UNPUBLISHED. RELEASED FOR PUBLICATION
 © COPYRIGHT BY TYCO ELECTRONICS CORPORATION. ALL RIGHTS RESERVED.

LOC	DIST	REVISIONS				
P	LTR	DESCRIPTION	DATE	DWN	APVD	
FT	0	B	REVISED PER 0G3B-0008-04	1/12/04	SS	GS



213910-1
 PART NUMBER

- ① CONTACT: BERYLLIUM COPPER.
RETENTION CLIP: PHOSPHOR BRONZE.
- ② CONTACT: 0.76μm [.000030] MIN GOLD OVER
1.27μm [.000050] MIN NICKEL.
RETENTION CLIP: 2.54μm [.000100] MIN NICKEL.
- 3. WIRE BARREL WILL ACCEPT 12-14 AWG WIRE.

THIS DRAWING IS A CONTROLLED DOCUMENT.		DWN D.HARDY 20 OCT 95	Tyco Electronics Corporation Harrisburg, PA 17105														
DIMENSIONS: INCHES		CHK W.G.LENKER 20 OCT 95	NAME														
TOLERANCES UNLESS OTHERWISE SPECIFIED:		APVD M.McALONIS 23 OCT 95	CONTACT ASSEMBLY, SOCKET, POWER VIII, METRIMATE														
<table border="1"> <tr><td>0 PLC</td><td>± -</td></tr> <tr><td>1 PLC</td><td>± -</td></tr> <tr><td>2 PLC</td><td>± -</td></tr> <tr><td>3 PLC</td><td>± .005</td></tr> <tr><td>4 PLC</td><td>± -</td></tr> <tr><td>ANGLES</td><td>± -</td></tr> </table>		0 PLC	± -	1 PLC	± -	2 PLC	± -	3 PLC	± .005	4 PLC	± -	ANGLES	± -	PRODUCT SPEC 108-1317	RESTRICTED TO		
0 PLC	± -																
1 PLC	± -																
2 PLC	± -																
3 PLC	± .005																
4 PLC	± -																
ANGLES	± -																
MATERIAL - ①		FINISH - ②	APPLICATION SPEC 114-10014	SIZE A3	CAGE CODE 00779	DRAWING NO C-213910											
CUSTOMER DRAWING			SCALE 10:1	SHEET 1 OF 1	REV B												