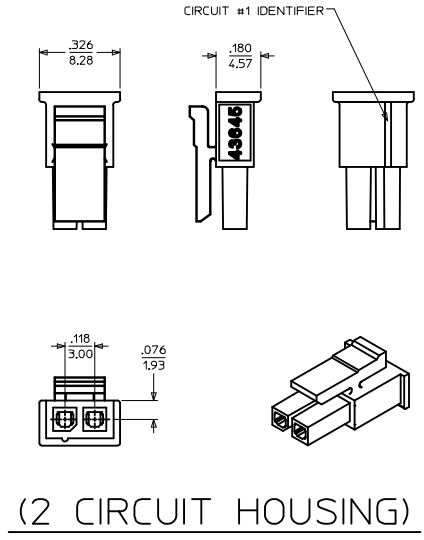
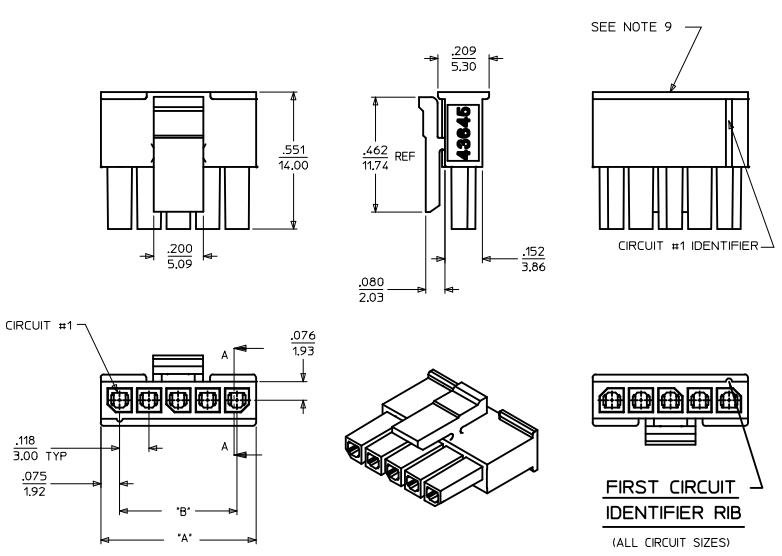
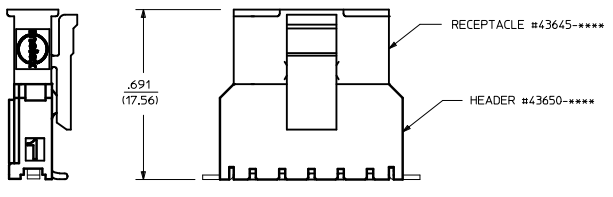


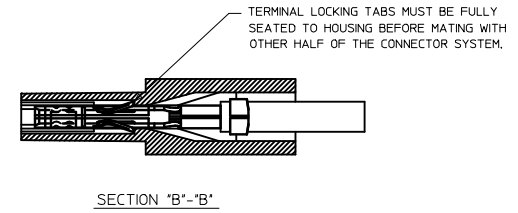
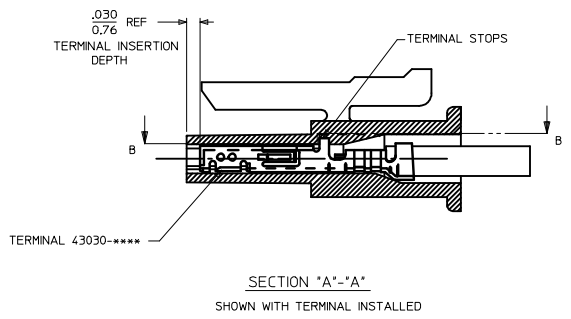
TOOLED	MATERIAL NUMBER	NUMBER OF CIRCUIT	DIM. 'A'	DIM. 'B'
YES	43645-0210	02	SEE DETAIL	.118/(3.00)
YES	43645-0310	03	.388/(9.85)	.236/(6.00)
YES	43645-0410	04	.506/(12.85)	.354/(9.00)
YES	43645-0510	05	.624/(15.85)	.472/(12.00)
YES	43645-0610	06	.742/(18.85)	.591/(15.00)
NO	43645-0710	07	.860/(21.85)	.709/(18.00)
NO	43645-0810	08	.978/(24.85)	.827/(21.00)
NO	43645-0910	09	1.096/(27.85)	.945/(24.00)
NO	43645-1010	10	1.215/(30.85)	1.063/(27.00)
NO	43645-1110	11	1.333/(33.85)	1.181/(30.00)
NO	43645-1210	12	1.451/(36.85)	1.299/(33.00)



(3-12 CIRCUIT HOUSING)

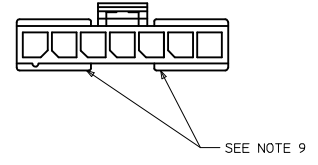


MATED MICRO-FIT CONNECTOR



NOTES:

- MATERIAL : UNFILLED NYLON, UL94V-2, IEC 60335-1 GLOW WIRE CAPABLE, COLOR - BLACK.
* MATERIAL NUMBERS ON THIS DRAWING ARE GLOW WIRE CAPABLE SINCE INCEPTION.
- FINISH : N/A
- PRODUCT SPECIFICATION : PS-43650
- PACKAGING SPECIFICATION: PK-43645-001.
- THIS RECEPTACLE TO BE USED WITH MOLEX FEMALE TERMINAL SERIES 43030 OR 46235. SEE SECTION 'A'-'A' FOR TERMINAL ORIENTATION IN HOUSING.
- FOR OVERMOLDING PARAMETERS SEE ENGINEERING SPECIFICATION SDES-43645-1000.
- THIS RECEPTACLE MATES WITH MOLEX PCB HEADER 43650 SERIES AND MOLEX PLUG 43640 SERIES (WIRE TO WIRE APPLICATIONS).
- MOLEX RECOMMENDS THE USE OF MICRO-FIT TEST PLUG, SERIES 44242-**** WHENEVER CONTINUITY TESTING IS PERFORMED. TEST PLUGS MUST NOT BE USED TO MAKE OR BREAK UNDER LOAD. MOLEX DOES NOT RECOMMEND USING STANDARD MATING COMPONENTS FOR HARNESS TESTING PURPOSES.
- THIS RIB IS DISCONTINUOUS ON CIRCUIT SIZES 7 THROUGH 12
- THIS PART CONFORMS TO CLASS 'B' REQUIREMENTS OF COSMETIC SPECIFICATION PS-45499-002, WITH THE EXCEPTION OF FLASH, DISCOLORATION, AND SINK MEET CLASS 'C' REQUIREMENTS.
- HOUSINGS MAY HAVE DISCOLORATION AREAS THAT DO NOT AFFECT FUNCTIONALITY. DISCOLORATION AREAS MAY EXTEND ACROSS THE ENTIRE LENGTH OF THE FACES OF THE PART.

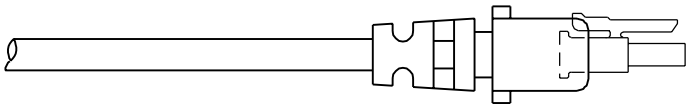
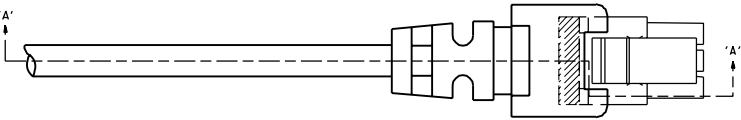


UPDATE TOOLED IEC NO. UCP2017-0563 DRWNG/DWLES 2016/07/21 CHKD/SSOUSEK 2016/07/21 APPR/FSMTH 2016/08/12 REV DESCRIPTION	QUALITY SYMBOLS	GENERAL TOLERANCES (UNLESS SPECIFIED)	DIMENSION STYLE IN/MM	SCALE	DESIGN UNITS METRIC	THIRD ANGLE PROJECTION	
	▽=0 ▽=0 ▽=0	4 PLACES ±.--- ±.--- 3 PLACES ±.--- ±.010 2 PLACES ±0.25 ±.014 1 PLACE ±0.35 ±.--- 0 PLACE ±.--- ±.---	DRAWN BY DATE JDFOX 2015/02/09 CHECKED BY DATE SSOUSEK 2015/02/09 APPROVED BY DATE FSMITH 2016/08/12	TITLE			
	ANGULAR ±1/2° DRAFT WHERE APPLICABLE MUST REMAIN WITHIN DIMENSIONS	MATERIAL NO. SEE CHART	DOCUMENT NO. SD-43645-002	SHEET NO. 1 OF 1			

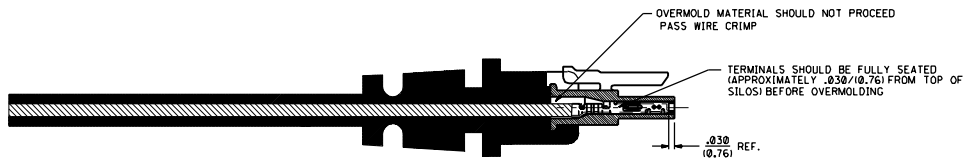
THIS DRAWING CONTAINS INFORMATION THAT IS PROPRIETARY TO MOLEX INCORPORATED AND SHOULD NOT BE USED WITHOUT WRITTEN PERMISSION

NOTES:

- 1) OVERMOLDED MATERIAL SHOULD NOT ENCAPSULATE THE TERMINAL IN AND AROUND THE WIRE CRIMP AREA.
- 2) TERMINALS MUST BE CENTERED AND PERPENDICULAR INSIDE THE RECEPTACLE HOUSING BEFORE AND AFTER OVERMOLDING.
- 3) DEVICE USED TO CENTER TERMINALS MUST NOT EXCEED .020 SQUARE IN ORDER TO PREVENT TERMINAL DEFORMATION.
- 4) OVERMOLD TOOLING MUST NOT DAMAGE INTERNAL OR EXTERNAL FEATURES OF CABLE ASSEMBLY.
- 5) THE OVERMOLDING TEMPERATURES DURING PROCESSING MUST NOT EXCEED 328°F
- 6) REMOVAL OF CABLE ASSEMBLY FROM THE TOOLING MUST NOT IN ANY WAY DAMAGE THE SUPPLIED COMPONENTS.
- 7) MOLEX IS RESPONSIBLE ONLY FOR COMPONENTS SUPPLIED TO THE OVERMOLDER, BUT NOT FOR NONCONFORMANCES INDUCED DURING THE OVERMOLDING PROCESS, SUCH AS OVERMOLD MATERIAL IN THE CONTACT AREA, TERMINALS THAT ARE EITHER OUT OF CENTER OR LACK OF TERMINAL MOBILITY AFTER BEING OVERMOLDED, AND ANY DEFORMATION TO TERMINALS OR HOUSINGS IN GENERAL.



TERMINALS MUST BE CENTERED IN RECEPTACLE PRIOR TO OVERMOLDING



SECTION 'A'-'A'

A FINAL RELEASE ECN# US-1018 96-82-26 A.0021K

REV. LTR. REVISIONS

DIMENSIONS SHOWN IN PARENT PARENTHESIS UNLESS OTHERWISE SPECIFIED		REVISE ONLY ON CAD SYSTEM	
1. FINISH	2. TOLERANCE	3. MATERIAL	4. MEASUREMENT
5. SURFACE TREATMENT	6. PLATING	7. COATING	8. FINISH
DRAWING SCALE: NONE		DRAWING SCALE: 1 OF 1	
PART NO: SDES-43645-1000		REV: 02/26/96	
MATERIAL: BAP		MATERIAL: SDES-43645-1000	
SCALE: 4:1		SCALE: 4:1	