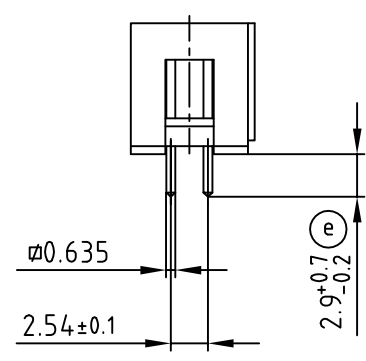
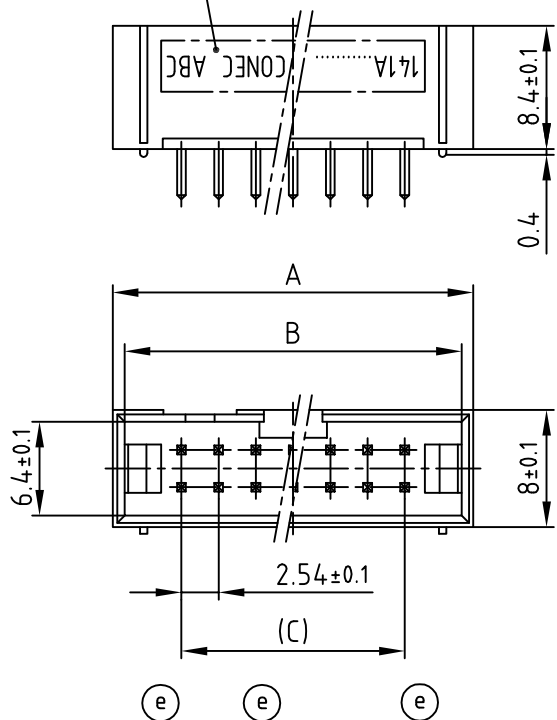


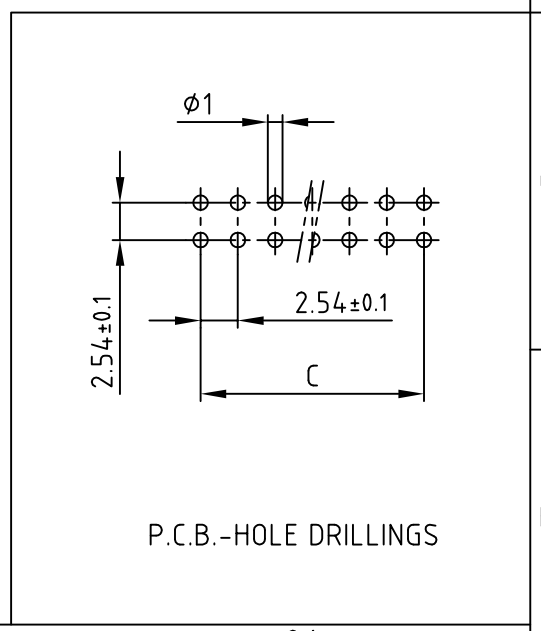
used for: DIN 41651

SEE NOTE 6



No. of pos.	A±0.3	B+0.9	C REF.	Part NO.
10	19.56	17.53	4x2.54=10.16	14 1A11639X
14	24.64	22.61	6x2.54=15.24	14 1A11649X
16	27.18	25.15	7x2.54=17.78	14 1A11659X
20	32.26	30.23	9x2.54=22.86	14 1A11669X
26	39.88	37.85	12x2.54=30.48	14 1A11679X
34	50.04	48.01	16x2.54=40.64	14 1A11689X
40	57.66	55.63	19x2.54=48.26	14 1A11699X
50	70.36	68.33	24x2.54=60.96	14 1A11709X
64	88.88	86.11	31x2.54=78.74	14 1A12269X

RoHS compliant



- NOTES:
- INSULATORS: POLYESTER GF, V0, UL 94
 - CONTACTS: PHOSPHOR BRONCE
 - OPERATING TEMPERATURE RANGE: -40°C TO +105°C
 - CURRENT CARRYING CAPACITY: 1A
 - TEST VOLTAGE: 1000 Veff.
 - CONNECTOR IS PART MARKED: PART-NO. CONEC ABC

THIS DRAWING MAY NOT BE COPIED OR REPRODUCED IN ANY WAY, AND MAY NOT BE PASSED ON TO A THIRD PARTY WITHOUT WRITTEN PERMISSION. OWNERSHIP AND COPYRIGHT OF CONEC GmbH DO NOT ALTER CAD DRAWING BY HAND

			tolerance			
			2002	date	name	
			drawn	26.04.	Parei	
4 x e	Ä5875	21.12.2015	Lehmen	appd.	26.04.	E. Mickenbecker
2 x d	Ä5810	11.09.2015	Unkrüer	norm	DIN 41651	
2 x c	Ä5778	24.08.2015	E.Mick.	d-old		
3 x b	Ä 3115	24.09.2008	Lehmen			
a	Original					
rev.	description	date	name			

scale:	2:1	
material:	SEE NOTES	
title:	LOW PROFILE HEADER 10-64pos. with straight solder pins	
dwg no:	AutoCAD 2000	DIN-A
	14K1A009	4
part no:	SEE TABLE	
		sh: 1/1