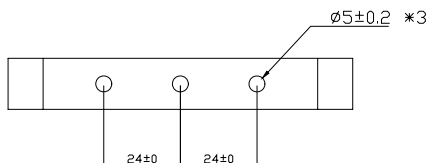
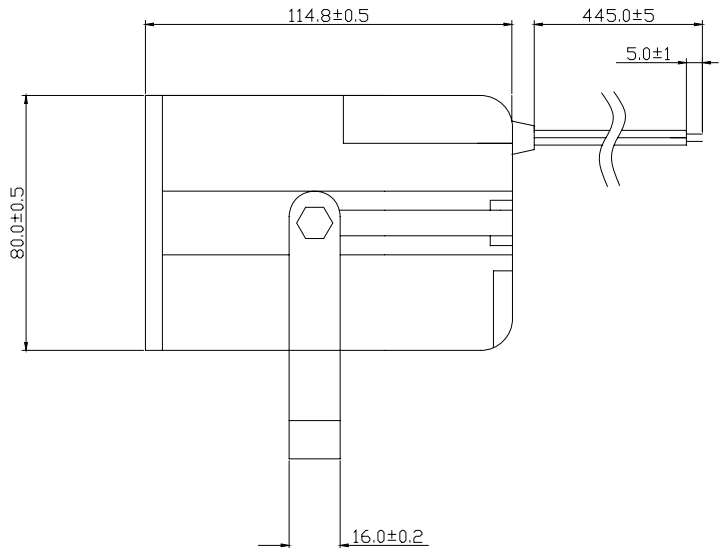
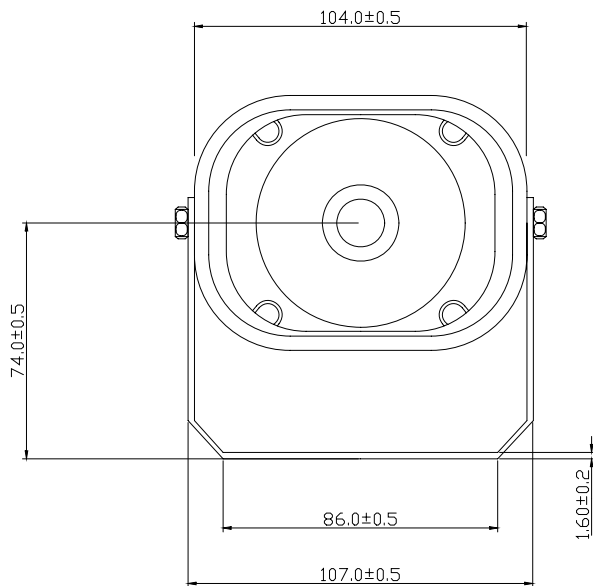


Specifications:

Resonant Frequency (Hz)	500 ~ 7000
Impedance (Ω)	8 ± 2
Input Power (Watts RMS)	10
Operating Temperature ($^{\circ}\text{C}$)	-20 ~ +70
Storage Temperature ($^{\circ}\text{C}$)	-30 ~ +80
Housing	ABS 757 UL94HB plastic resin (Color: Black)
Leading Wire	20 AWG
Weight (Grams)	45
Locations	For indoor/outdoor use
Options	For other options contact factory

Dimensions: (units: mm)**ROHS Compliant**

Frequency Response:

