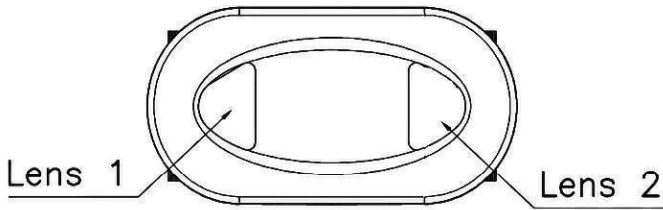
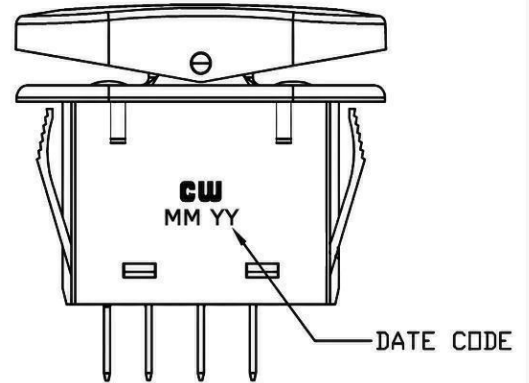
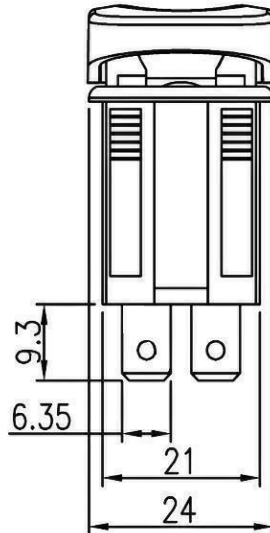
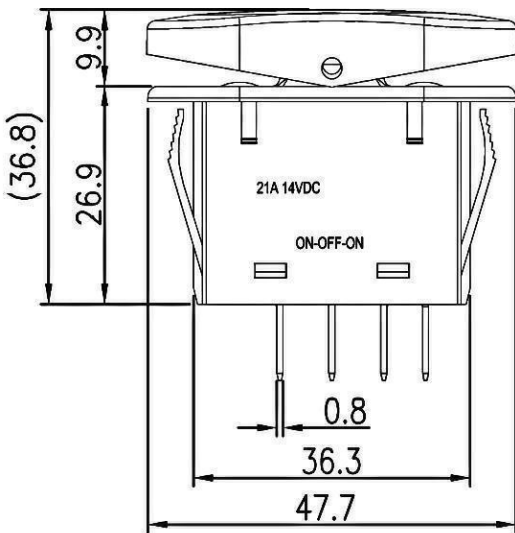


THIS INFORMATION IS CONFIDENTIAL AND PROPRIETARY TO CW INDUSTRIES INCORPORATED AND ITS AFFILIATES. IT MAY NOT BE DISCLOSED TO ANYONE, OTHER THAN CW INDUSTRIES PERSONNEL, WITHOUT WRITTEN AUTHORIZATION FROM CW INDUSTRIES INCORPORATED, SOUTHAMPTON, PENNSYLVANIA USA.

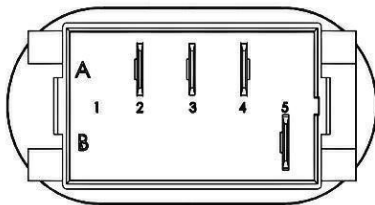
<b>Rating</b>		21A 14VDC		<b>Mounting Hole</b>		<b>Circuit Diagram</b>											
<b>Contact Resistance</b>		50m ohm Max.															
<b>Insulation Resistance</b>		DC 500V 100M ohm Min.															
<b>Dielectric Strength</b>		AC 1500V 1minute															
<b>Operation Temperature</b>		-20°~85°															
<b>Switch Function</b>		4P SPDT ON - OFF - ON Lamp Dependent															
<b>Lamp Type</b>		LED 12VDC 14V w/resistor		<table border="1"> <thead> <tr> <th>Thickness</th> <th>X</th> <th>Y</th> </tr> </thead> <tbody> <tr> <td>0.75~1.25</td> <td>21.2+0.1</td> <td>36.6+0.1</td> </tr> <tr> <td>1.25~2</td> <td>21.2+0.1</td> <td>36.8+0.1</td> </tr> <tr> <td>2~3</td> <td>21.2+0.1</td> <td>37.0+0.1</td> </tr> </tbody> </table>		Thickness	X	Y	0.75~1.25	21.2+0.1	36.6+0.1	1.25~2	21.2+0.1	36.8+0.1	2~3	21.2+0.1	37.0+0.1
Thickness	X	Y															
0.75~1.25	21.2+0.1	36.6+0.1															
1.25~2	21.2+0.1	36.8+0.1															
2~3	21.2+0.1	37.0+0.1															



Material:  
 Frame: Nylon# 66, Black  
 Actuator: Nylon# 66+30%GF, Black  
 Lens1: Green, PC  
 Lens2: Red, PC  
 Terminal: Silver plated copper(excepted lamp terminal)  
 Printed: None  
 Water proof and dust proof to fit IP-66



TOLERANCE: ±0.3mm UNLESS OTHERWISE SPECIFIED.



RoHS Compliant

1 Added Dependent to Function & Lamp Type. 12/16/2011.

**CW INDUSTRIES**  
 Southampton, Pa. 18966  
 Tel 215.355.7080/www.cwind.com

Date Drawn: 5/18/10

Rev. 1

Unit: mm

Checked By: *G. Gold*

Title:  
**ROCKER SWITCH**

CW P/N:  
**GRB271D3BBGR2D1**