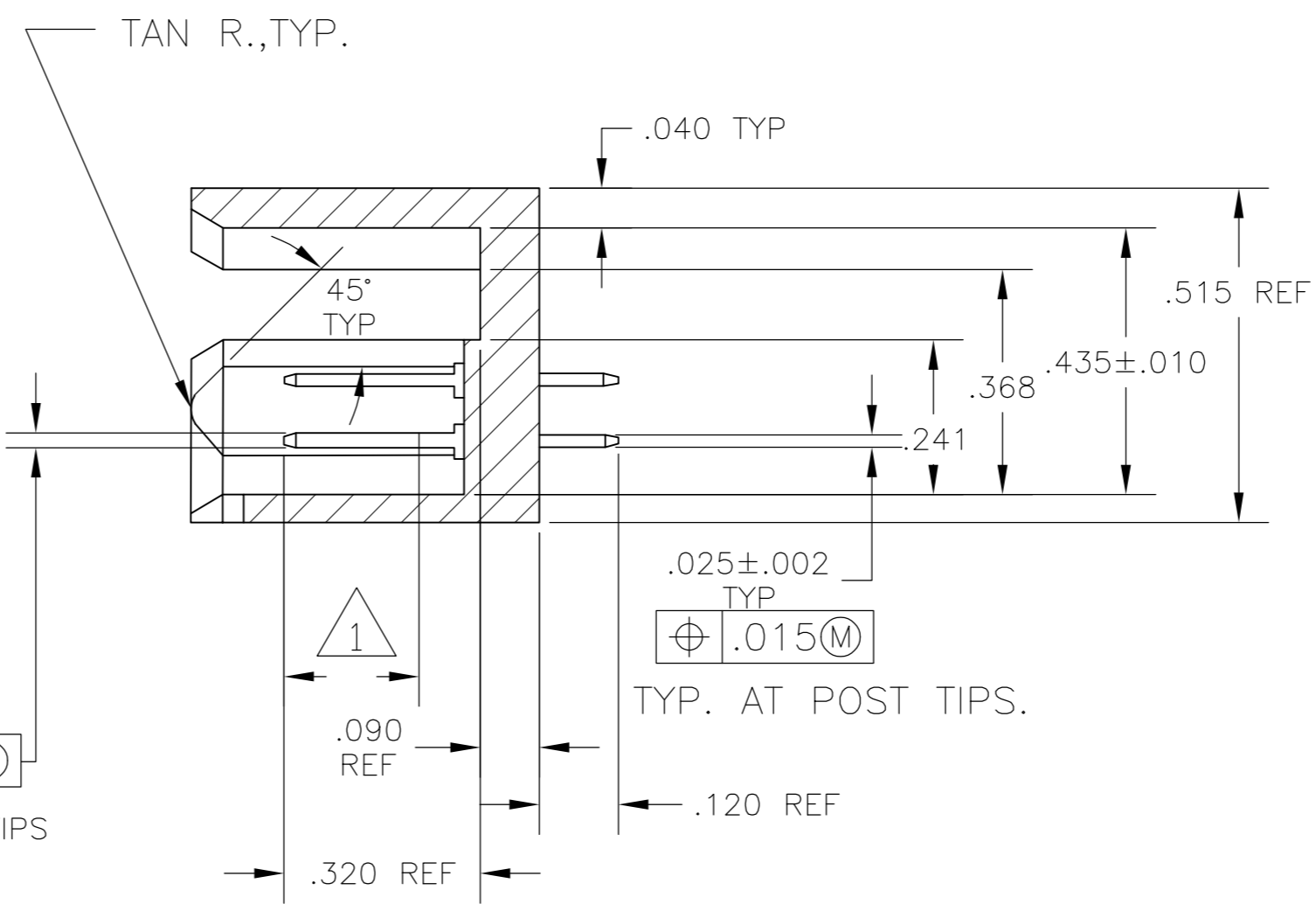
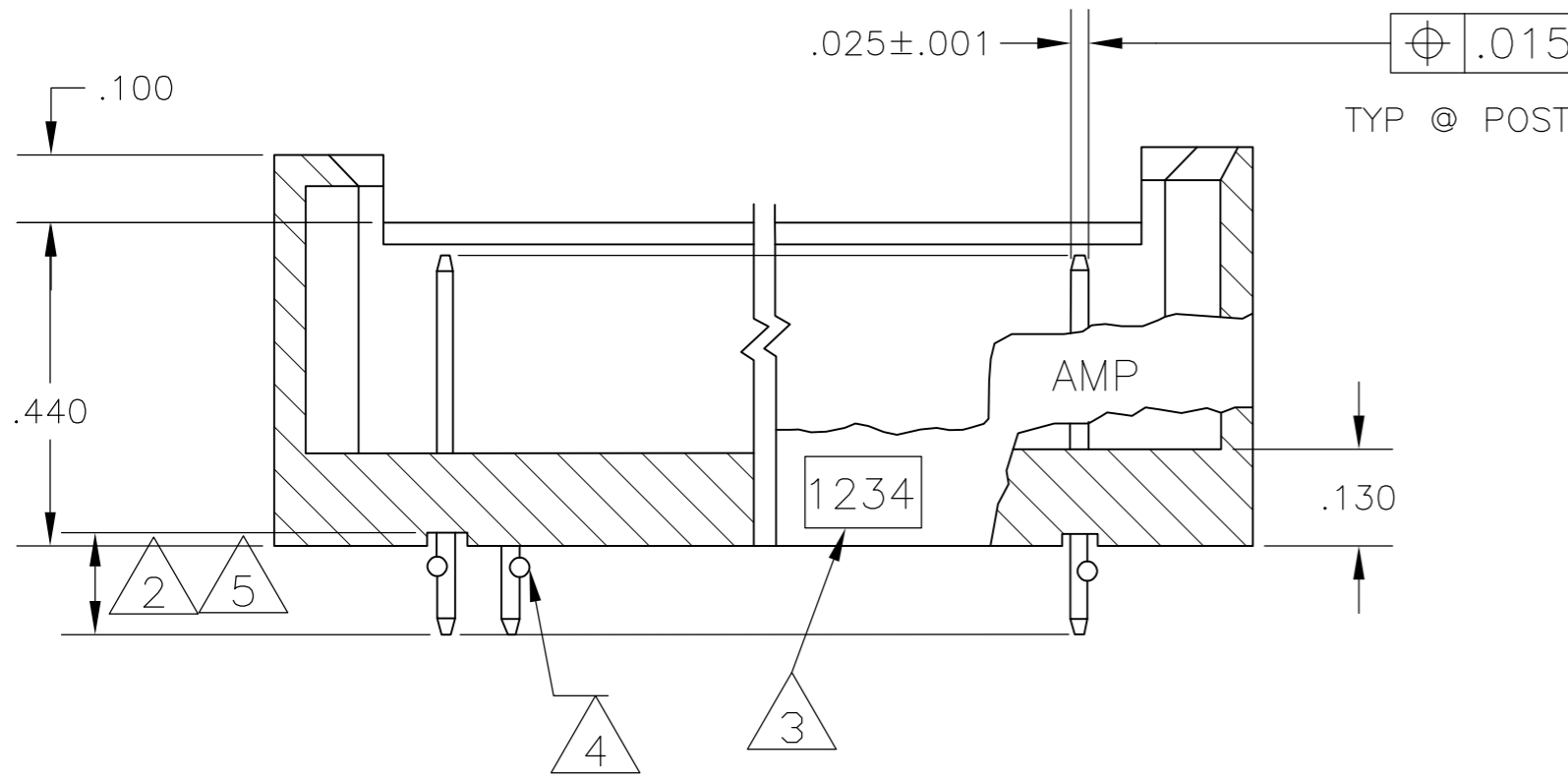
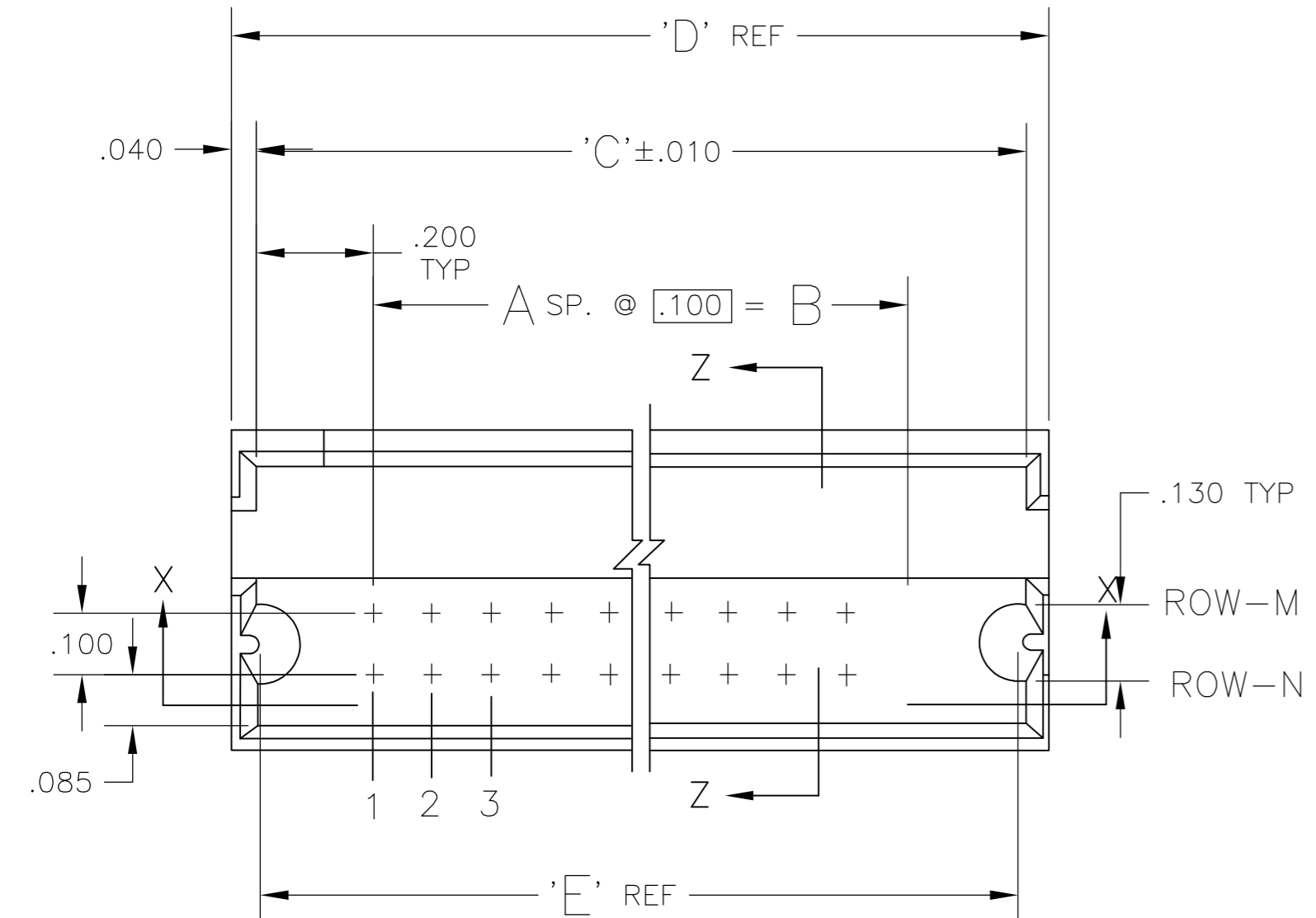
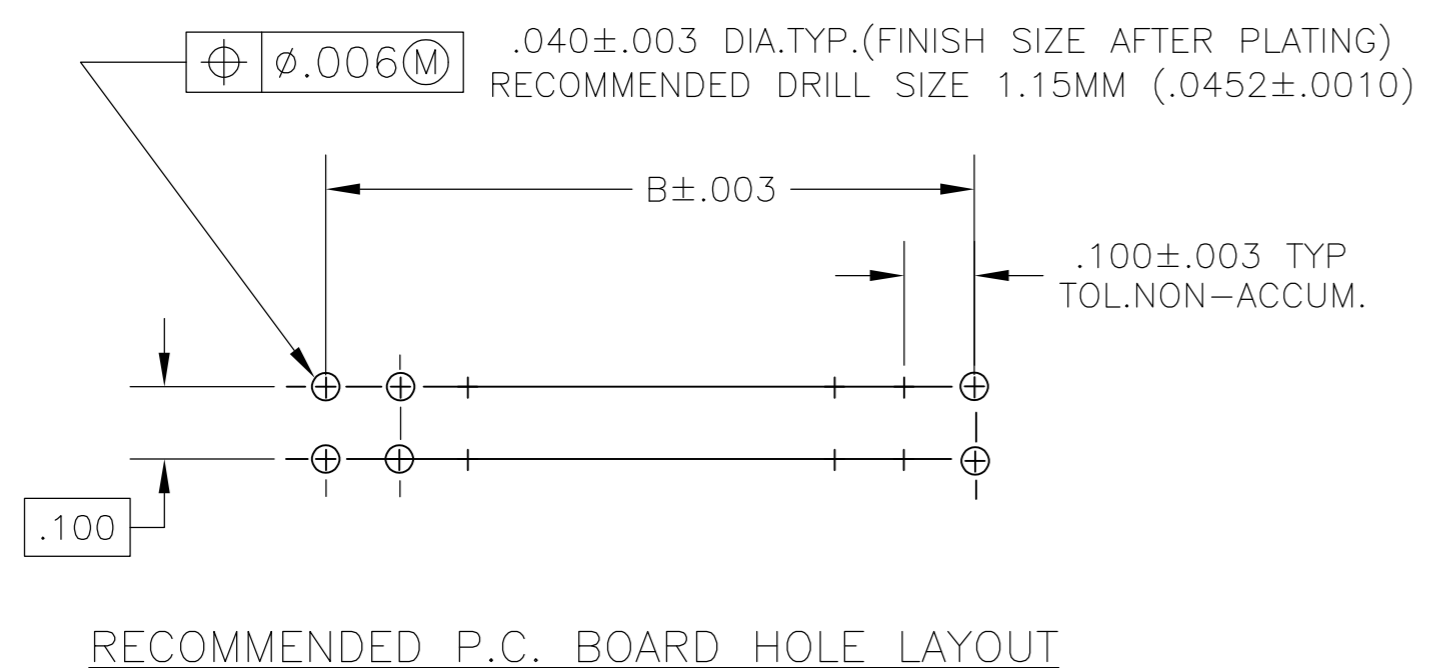


THIS DRAWING IS UNPUBLISHED. RELEASED FOR PUBLICATION
 © COPYRIGHT BY TYCO ELECTRONICS CORPORATION. ALL RIGHTS RESERVED.

LOC	DIST	REVISIONS			
P	LTR	DESCRIPTION	DATE	DWN	APVD
AD	00				
	E1	ECO-06-016522	25AUG06	BSV	JO
	E2	REVISED PER ECO-09-021510	12SEP09	KK	AEG



- SECTION "Z-Z"
- 1 FINISH OVER INDICATED AREA: .000030 GOLD OVER .000050 NICKEL.
 - 2 FINISH OVER INDICATED AREA: .000100-.000200 BRIGHT TIN OVER .000050 NICKEL.
 - 3 RECESSED DATE CODE AND CSA LOGO
 - 4 BOARD RETENTION FEATURE WHERE INDICATED
 - 5 FINISH OVER INDICATED AREA: .000100-.000200 MATTE TIN OVER .000050 NICKEL
 - 6 ROHS 2002/95/EC COMPLIANT
 - 7 OBSOLETE PARTS: OBSOLETE CIS STREAMLINING PER D.RENAUD/D.SINISI



	1 5	8,13,18	8,13,18	2.770	2.880	2.800	2.400	24	50	5-535567-1	6
OBSOLETE	1 2	2,20,40,59	2,20,40,59	6.270	6.580	6.300	5.900	59	120	535567-4	
OBSOLETE	1 2	2,17,33,49	2,17,33,49	5.270	5.380	5.300	4.900	49	100	535567-3	
OBSOLETE	1 2	2,20,39	2,20,39	4.290	4.380	4.380	3.900	39	80	535567-2	
OBSOLETE	1 2	8,13,18	8,13,18	2.770	2.880	2.800	2.400	24	50	535567-1	
		FINISH	ROW-M 4	ROW-N 4	E	D	C	B	A	NO OF POSN	PART NO

THIS DRAWING IS A CONTROLLED DOCUMENT.

DIMENSIONS: INCHES

TOLERANCES UNLESS OTHERWISE SPECIFIED:

0 PLC	± -
1 PLC	± -
2 PLC	± -
3 PLC	± .005
4 PLC	± -
ANGLES	± -
FINISH	SEE TABLE

MATERIAL: HEADER: GLASS FILLED NYLON, COLOR, BLACK; POST: COPPER ALLOY

APPROVALS: DWN HUNT 14SEP88; CHK 21OCT88; APVD 21OCT88

NAME: SHROUDED HEADER ASSEMBLY, MOD II, DOUBLE-ROW, .100 X .100 CL, .025 SQ POSTS, WITH BOARD RETENTION FEATURE

SIZE: A2; CAGE CODE: 00779; DRAWING NO: 535567; RESTRICTED TO: -

WEIGHT: -

CUSTOMER DRAWING

SCALE: 1:1; SHEET: 1 OF 1; REV: E2