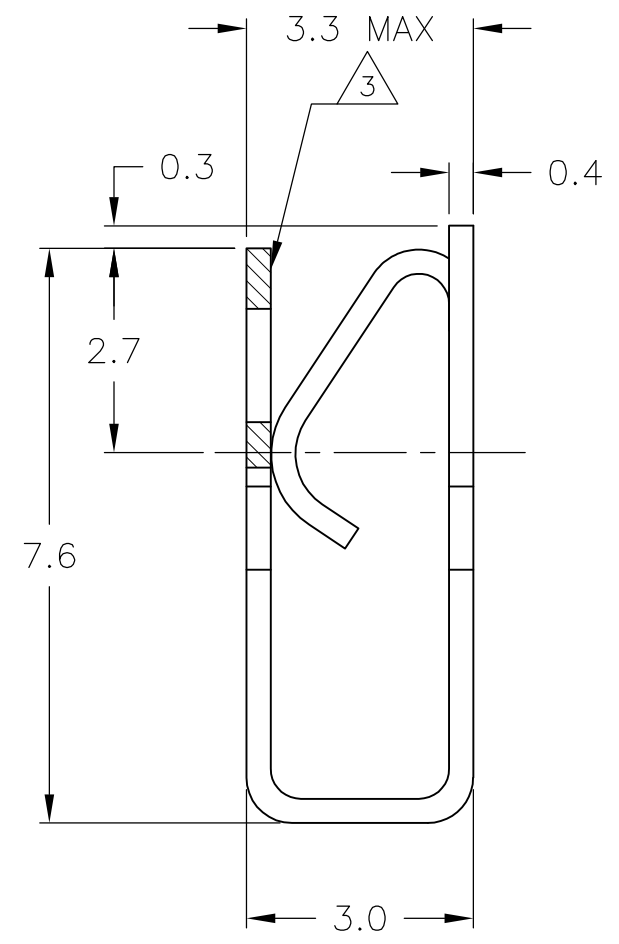
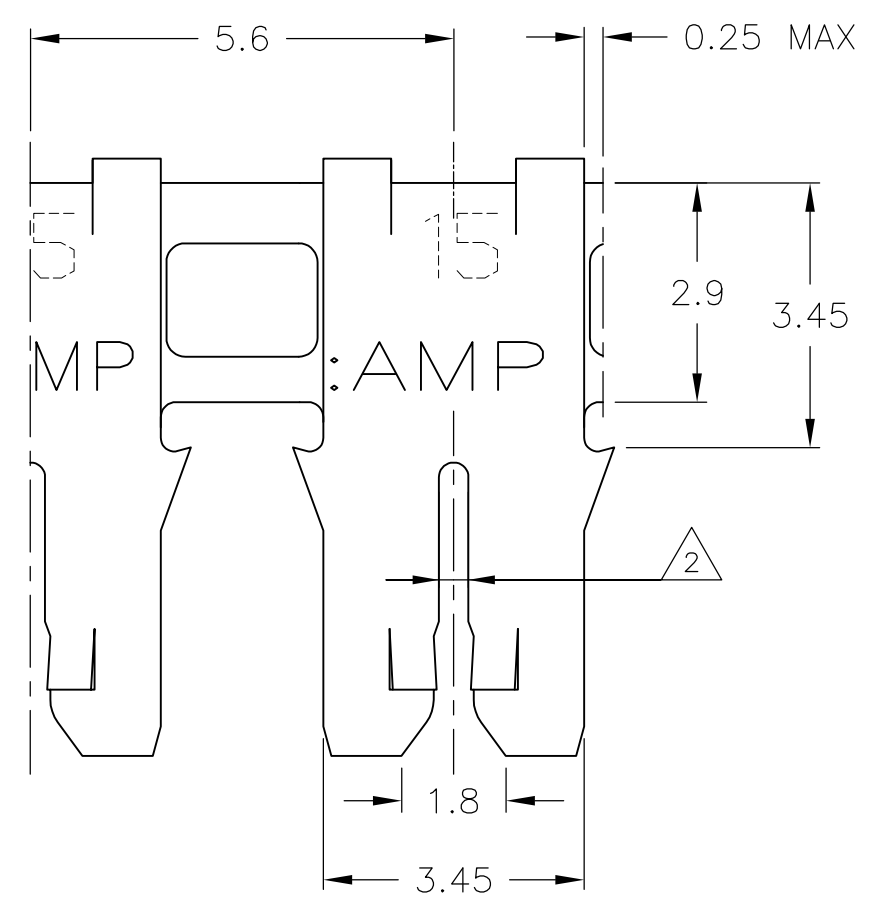
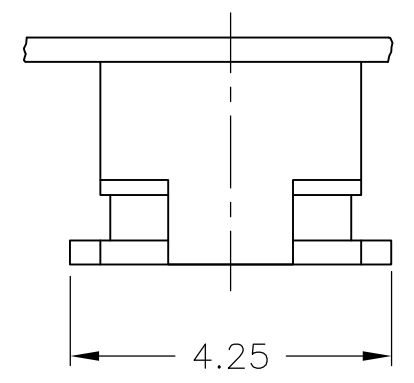


THIS DRAWING IS UNPUBLISHED. RELEASED FOR PUBLICATION
 © COPYRIGHT - By - ALL RIGHTS RESERVED.

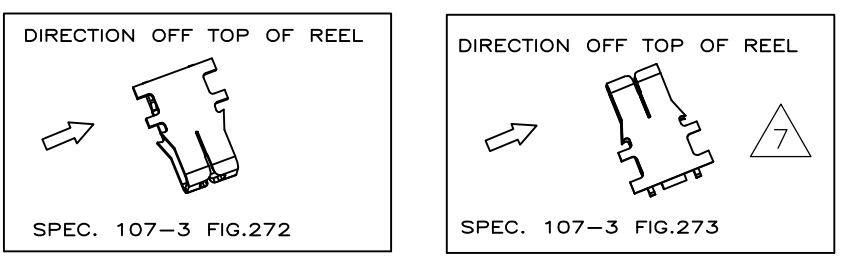
REVISIONS					
P	LTR	DESCRIPTION	DATE	DWN	APVD
	B6	REVISED PER ECR-16-009675	05JUL2016	NK	PKS



- 1 Siehe Zchnng.Nr.77-9597 für pass.Kammermße
SEE DWG.NO. 77-9597 FOR MATING CAVITY DIMENSIONS.
- 2 Schlitz geeignet f. Kupferlackdraht 0.67-0.95mm.
SLOT ACCEPTS COPPER MAGNET WIRE AWG 22-20.
- 3 Kennziffer für Lackdraht-bereich (15).
IDENTIFICATION NO. FOR MAGNET WIRE RANGE (15).
- 4 Kontakt geeignet für Flachstecker 3.4 x 0.5mm.
TERMINAL ACCEPTS TAB 3.4 X 0.5 MM.
- 6 Für Produkt PN 928770-4 Aufkleber.
PN 725520 MIT 3 VERSEHEN CODE 15
FOR PROD. PN 928770-4 LABEL
PN 725520 WITH 3 CODE 15.
- 7 Reelrichtung bei Vorstrichzahl (1-).
REEL DIRECTION WITH PREFIX (1-) ONLY.
- 8 OBSOLETE PARTS: OBSOLETE CIS STREAMLINING
PER D.RENAUD/D.SINISI.



8	OBSOLETE	-	-	-	-	928 770-9	CuSiSn	vorverzinkt
8	OBSOLETE	-	-	-	-	928 770-8	CuSiSn	blank
8	OBSOLETE	-	-	-	-	928 770-6	CuNiSi	blank
						928 770-5	CuNiSi	nachverzinkt
		1-928770-4	-	-	-	928 770-4	CuNiSi	vorverzinkt
	OBSOLETE	1-928770-2	-	-	-	928 770-2	CuZn	nachverzinkt
8	OBSOLETE	1-928770-1	-	-	-	928 770-1	CuZn	vorverzinkt
								OBERFLÄCHE
								FARBE



ZEICHNUNG GÜLTIG AB 35./9.0...

THIS DRAWING IS A CONTROLLED DOCUMENT.

DIMENSIONS: mm [INCHES]	TOLERANCES UNLESS OTHERWISE SPECIFIED: 0 PLC ± - 1 PLC ± 0.2[.007] 2 PLC ± - 3 PLC ± - 4 PLC ± - ANGLES ± - FINISH	DWN Bartosch 09.12.85 CHK Bitsch 07.01.86 APVD - PRODUCT SPEC - APPLICATION SPEC - WEIGHT -	TE Connectivity MAG-MATE LEAF TERMINAL	
MATERIAL -			SIZE A3	CAGE CODE 00779
			DRAWING NO C-928770	RESTRICTED TO -
		CUSTOMER DRAWING	SCALE 1:1	SHEET 1 OF 1
				REV B6