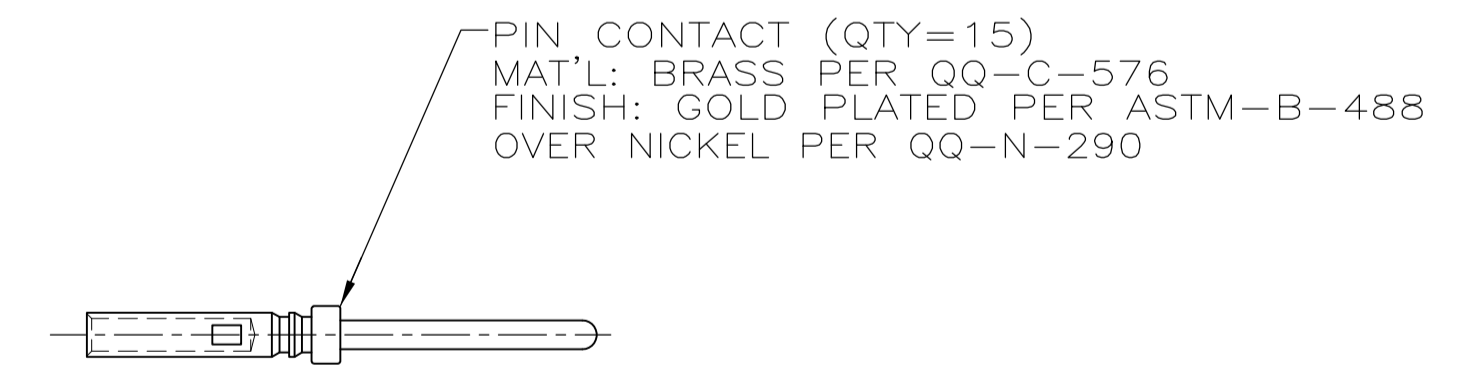
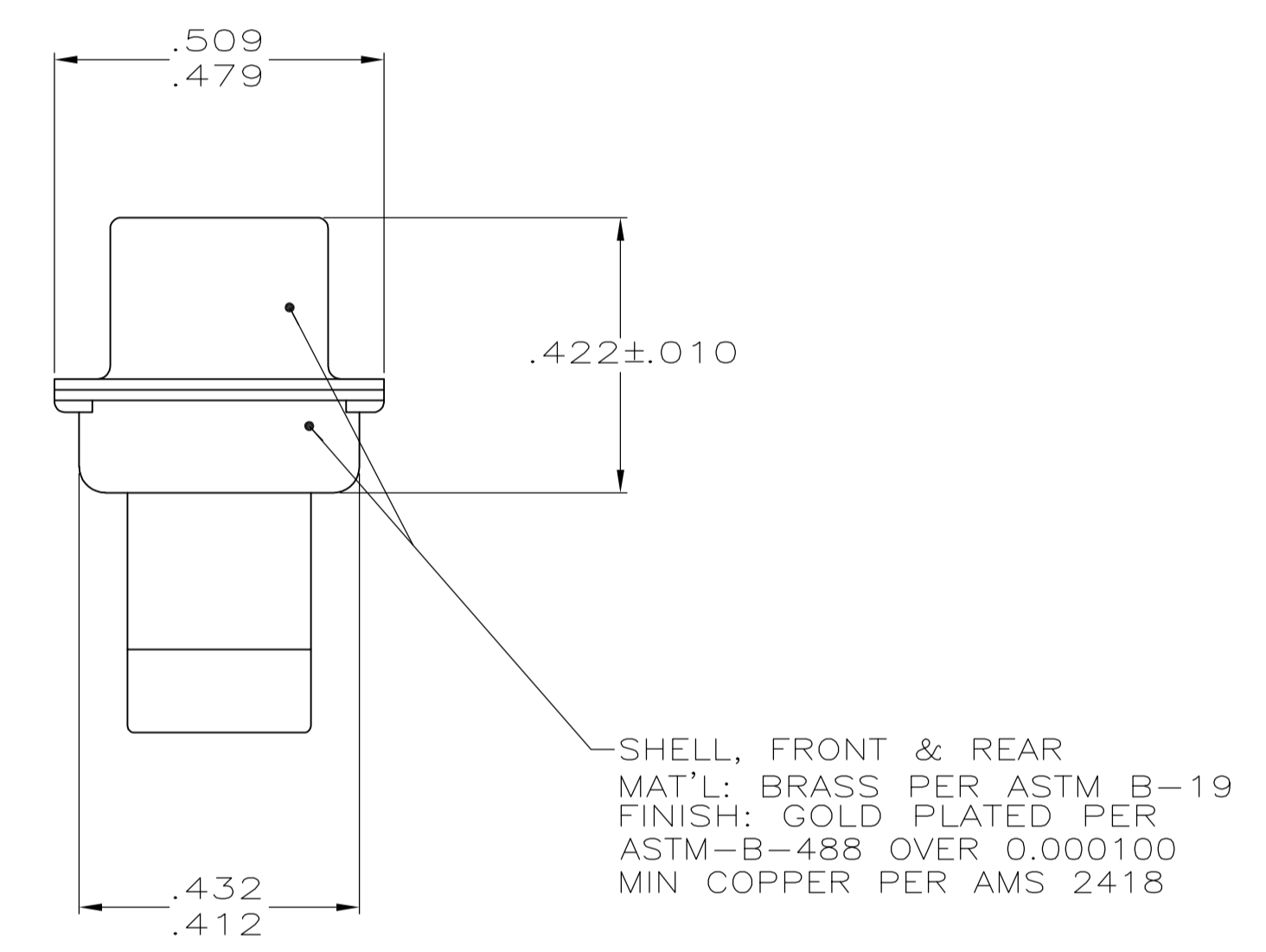
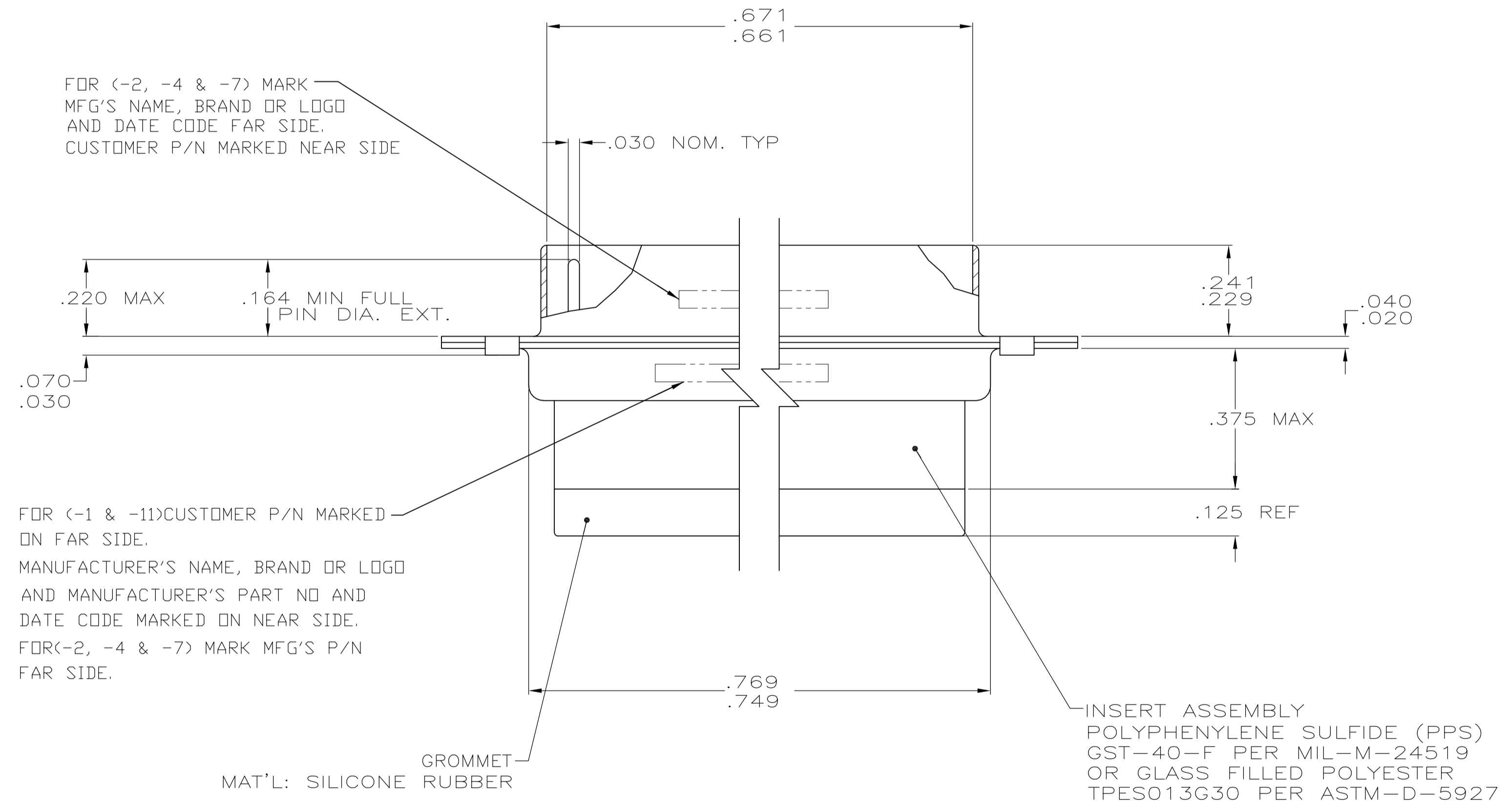


- THIS PLUG WILL MATE WITH ANY SIZE 1, 15 POSN. RCPT. IN AMPLIMITE SERIES.
  - CONNECTOR SUPPLIED WITHOUT CONTACTS; SHOWN FOR ILLUSTRATION ONLY.
  - BE-CU RETENTION CLIPS ARE INCLUDED IN INSERT AND INSTALLED WITH TINES POINTING TOWARDS MATING FACE.
  - OVERALL DIMENSIONS DO NOT INCLUDE RAISED CAVITY IDENTIFICATION.
  - MARKING FAR SIDE REFERS TO WIDE SIDE OF KEYSTONE. NEAR SIDE REFERS TO NARROW SIDE OF KEYSTONE.
- 6 ONLY PART NO. 211673-7 IS SUPPLIED WITH CONTACTS.
  - 7 100% INSPECTION REQUIRED PER BOEING 1B01:
    - A. VISUAL
    - B. DWV
    - C. IR
  - 8 CUSTOMER REQUIRES SINGLE LOT DATE CODE.
  - 9 SPECIAL REQUIREMENTS:
    - A. TEST TWO CONNECTORS PER LOT FOR COMPLIANCE TO GROMMET PEEL STRENGTH REQUIREMENTS.
    - B. TEST ALL CIRCUIT CAVITIES FOR MISALIGNMENT OR EXCESSIVE ADHESIVE.



7	8	1B01-031PHW	1-211673-1
6		B010648-0001	211673-7
			211673-4
9	8	2A065-013V	211673-2
7		1B01-031	211673-1
REMARKS		CUSTOMER PART NO.	PART NO.

THIS DRAWING IS A CONTROLLED DOCUMENT.		DIN J. KAISER 3-11-04	Tyco Electronics Corporation Harrisburg, PA 17105-3608	
DIMENSIONS: INCHES		CHK L. OH 3-25-04	NAME Tyco Electronics	
TOLERANCES UNLESS OTHERWISE SPECIFIED:		APVD	PRODUCT SPEC	
0 PLC	± -	APPLICATION SPEC		
1 PLC	± -	SIZE CAGE CODE DRAWING NO RESTRICTED TO		
2 PLC	± -	A1 00779 C=211673		
3 PLC	± .005 [0.13]	CUSTOMER DRAWING SCALE 4:1 SHEET 1 OF 1 REV R		
4 PLC	± -			
ANGLES	± -			
MATERIAL SEE CALLOUTS		FINISH SEE CALLOUTS		