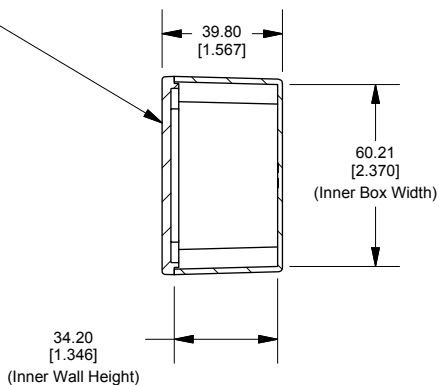
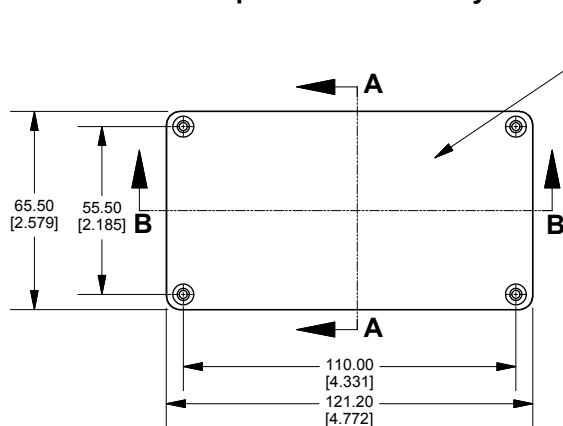


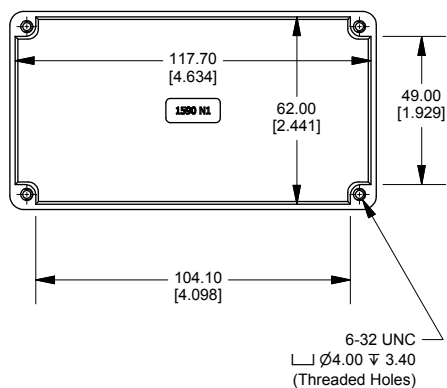
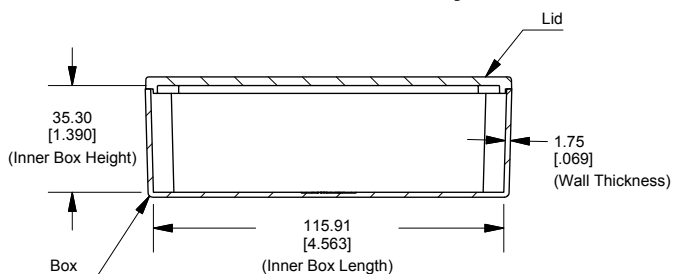
Top View of Assembly

**SECTION A-A
End View of Assembly**



**SECTION B-B
Side View of Assembly**

Top View Looking Inside Box



Enclosures can be Factory Modified (Milling, Drilling, Printing etc.)
Contact Factory mjm@hammondmfg.com for quotes
Solid models of this enclosure available in STEP or IGES.

NOTE

Purchased assembly includes box, lid and 4 cover screws.
Box and lid are made from Diecast Aluminum Alloy (alloy type 380).
Silicone gasket supplied with liquid resistant enclosures

PART NUMBERS

1590N1 Enclosure	
Unfinished	1590N1
Grey Textured Polyester Powder Paint - RAL 7038	1590N1GY
Black Textured Polyester Powder Paint - RAL 9011	1590N1BK
1590N1 Liquid Resistant Enclosure (Silicone Gasket)	
Unfinished	1590WN1
Black Textured Powder Paint	1590WN1BK
ACCESSORIES	
Recommended Torque: 75 ozf.in / 55 cN.m	
Black Textured Cover Screws (Pkg 100) [6-32 x 1/2" SS Type 304]	1590WMS100BK
Unfinished Cover Screws (Pkg 100) [6-32 x 1/2" SS Type 304]	1590WMS100
Standard Cover Screws	
Unfinished Cover Screws (Pkg 100) [6-32 x 1/2" Nickel Plated Screws]	1590MS100
Black Textured Cover Screws (Pkg 50) [6-32 x 1/2" Nickel Plated Screws]	1590MS50BK

Lid

