

MODEL NUMBER
CPL-5216-XX-TNC-79

NOTES:

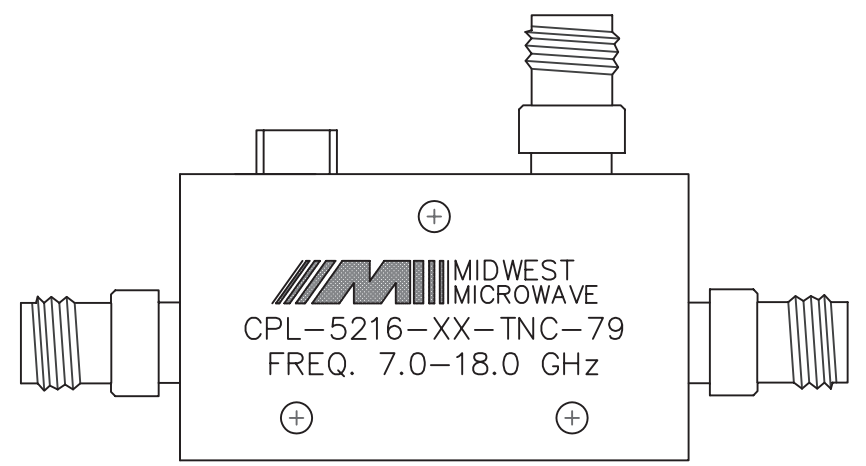
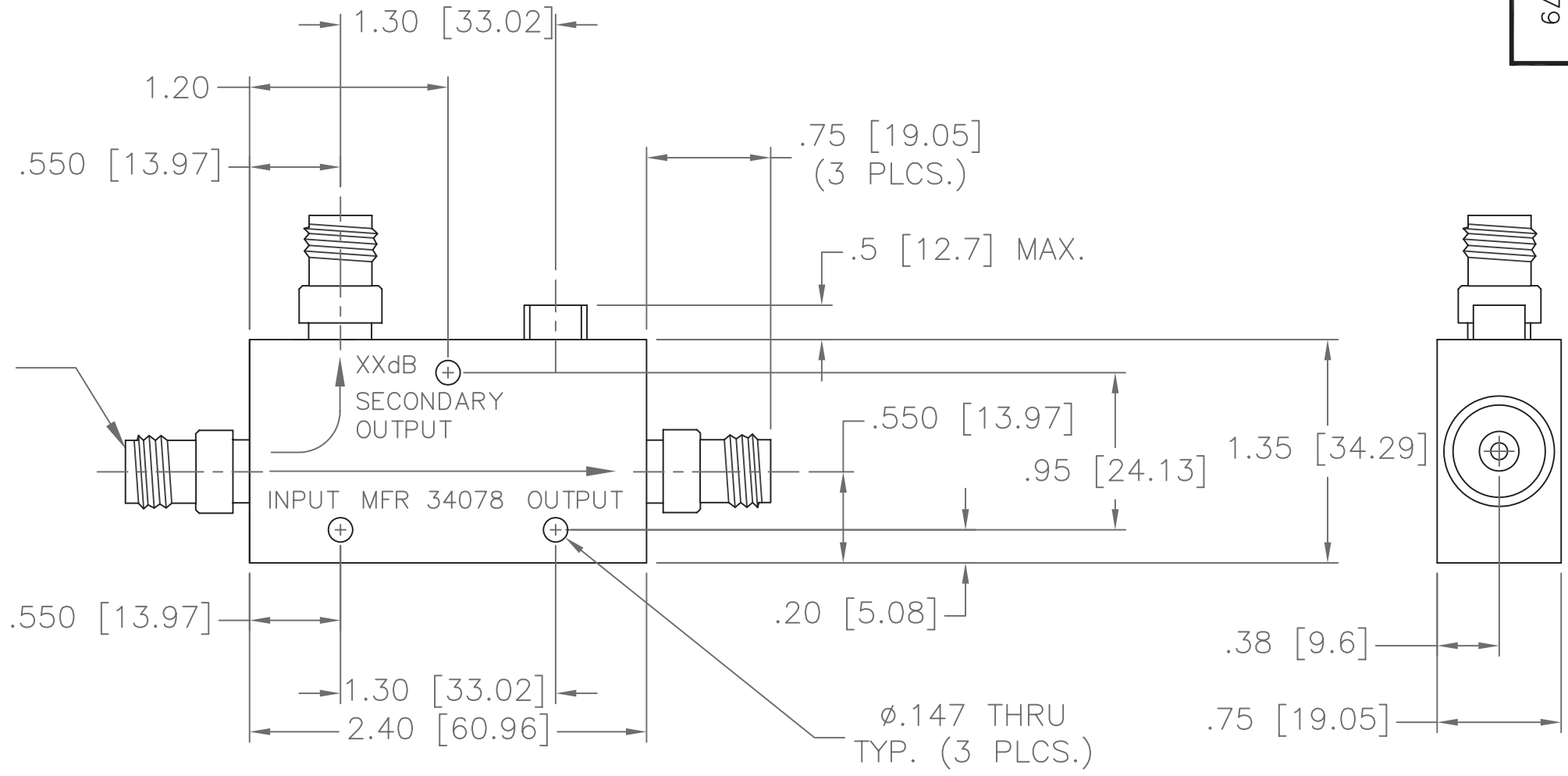
- 1.0 ELECTRICAL SPECIFICATIONS:
 1.1 FREQUENCY RANGE: 7.0 to 18.0 GHz
 1.2 FREQ. SENSITIVITY: ±0.75dB
 1.3 VSWR (MAX): 1.50:1
 1.4 INSERTION LOSS: 0.8dB (EXCLUDING COUP. LOSS)
 1.5 DIRECTIVITY:
 7.0 to 12.4 GHz: 15dB MIN.
 12.4 to 18.0 GHz: 12dB MIN.
 1.6 POWER: SEE TABLE
 1.7 RF IMPEDANCE: 50 OHMS
 1.8 COUPLING: SEE TABLE
 1.9 WEIGHT (MAX.): 7.0 oz.

- 2.0 FINISHING:
 2.1 GREY OVER MIL-E-15090 TYPE II, CLASS 2
 OVER MIL-C-5541 CLASS 3A
 MEETS MIL-F-14072
 MEETS MIL-E-5400 AND MIL-E-16400V.
 2.2 MARK UNIT AS SHOWN.
 REF: SLK-08139-82-[16-19]

3.0 DIMENSIONS IN PARENTHESIS ARE IN MILLIMETERS.

TYPE TNCA JACK INTERFACE PER MIL-STD-348A FIG. 313-44 (INTERFACE ALSO MEETS TYPE TNC 18 GHz, GRADE 1 PER IEC 169-26, FIG 2) TYP. (3 PLCS.)


MIDWEST MODEL NUMBER	NOMINAL COUPLING	POWER(WATTS)		
		INPUT	REF	PEAK
CPL-5216-XX-TNC-79				
CPL-5216-06-TNC-79	6 ±1.0dB	50	4	4000
CPL-5216-10-TNC-79	10 ±1.0dB	50	10	4000
CPL-5216-20-TNC-79	20 ±1.0dB	50	50	4000
CPL-5216-30-TNC-79	30 ±1.0dB	50	50	4000



BACKSIDE MARKING

NOTICE: The information contained in this drawing is proprietary and must not be used without the permission of Cinch Connectivity Solutions.

UNLESS OTHERWISE NOTED DIMENSIONS ARE IN INCHES AND TOLERANCES ARE:
 3 PLACE DECIMALS ±.005
 2 PLACE DECIMALS ±.02
 FRACTIONS ±1/64
 PARALLELITY: T.I.R. _____
 FLATNESS: T.I.R. _____
 CONCENTRICITY: T.I.R. _____
 ANGLES AND PERPENDICULARITY: ±1°

CAGE CODE 34078		MIDWEST MICROWAVE	
		TITLE DIRECTIONAL COUPLER OUTLINE DRAWING	
		DRAWING NUMBER CPL-5216-XX-TNC-79-01	
DRAWN/DATE S.ORLOV 4/28/06	ENG./DATE R.HALL 5/9/06	REV. B	
CHECKED/DATE	APPROVED/DATE	SCALE: 2=1	SHEET 1 of 1

REV.	DESCRIPTION	DATE
I	RELEASED	5/9/05
A	ECN 20913	6/21/06
B	ECN 20918	6/26/06