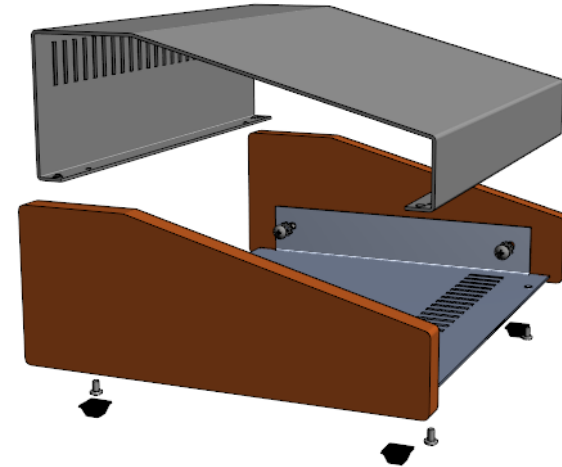
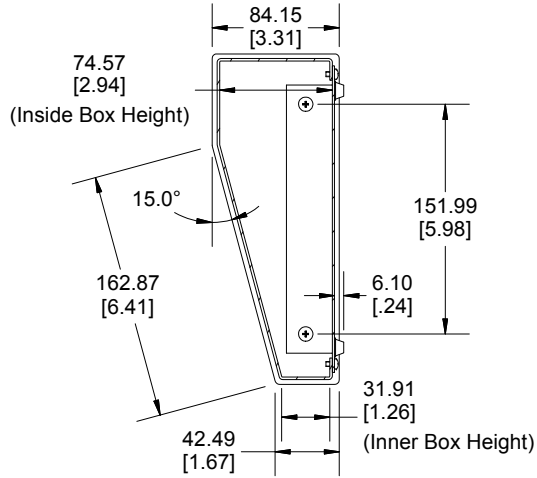
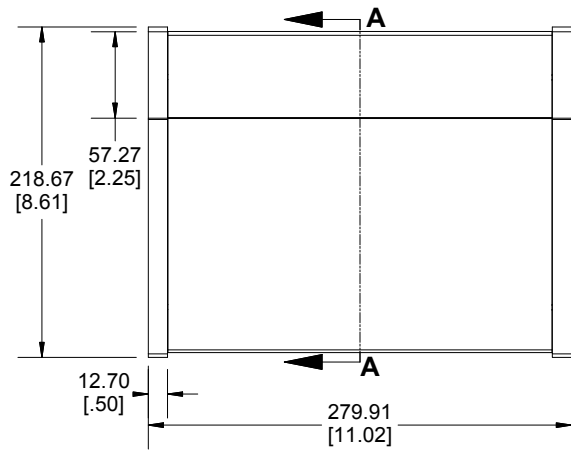
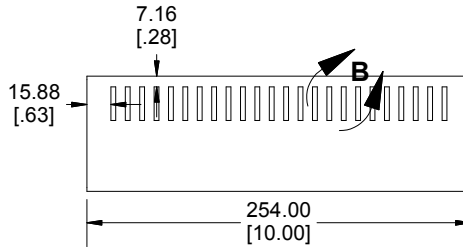
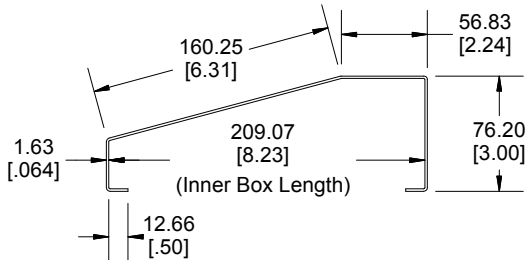


**SECTION A-A**  
Side View of Assembly

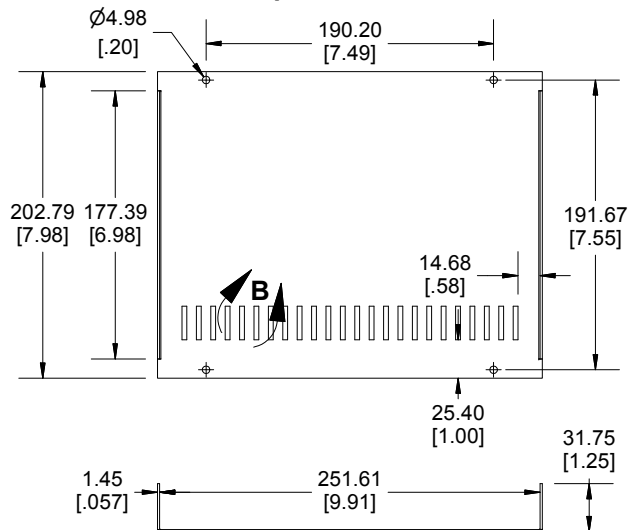
**Top View of Assembly**



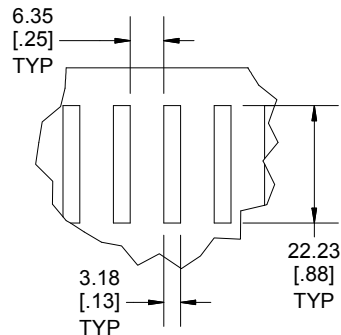
**Side View of Top Panel**



**Top View of Case**



**DETAIL B**



Enclosures can be Factory Modified ( Milling, Drilling, Printing etc.)  
Contact Factory [mjm@hammondmfg.com](mailto:mjm@hammondmfg.com) for quotes  
Solid models of this enclosure available in STEP or IGES.

**NOTE**

Case Includes Wooden Sides, Adhesive Rubber Feet and Required Hardware.  
Enclosure Case is Made of 0.057" Steel.  
Top Panel is Made of 0.064" Aluminum.

**PART NUMBERS**

1456KH3WHCWW Enclosure

Beige Top and Black Case

1456KH3WHCWW

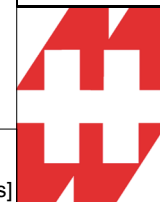
**ACCESSORIES**

Plated Cover Screws (Pkg 6)  
[6-32 x 1/4" Self-Tapping Screws]

1421J6

Black Self-Adhesive Rubber Feet (Pkg 24)

1421T3



**HAMMOND**  
**MANUFACTURING™**

**1456KH3CWW**

[www.hammondmfg.com](http://www.hammondmfg.com)

**Note**

Dimensions: mm  
[inches]