



PRODUCT DATASHEET

Lenina series

last update 31/10/2016

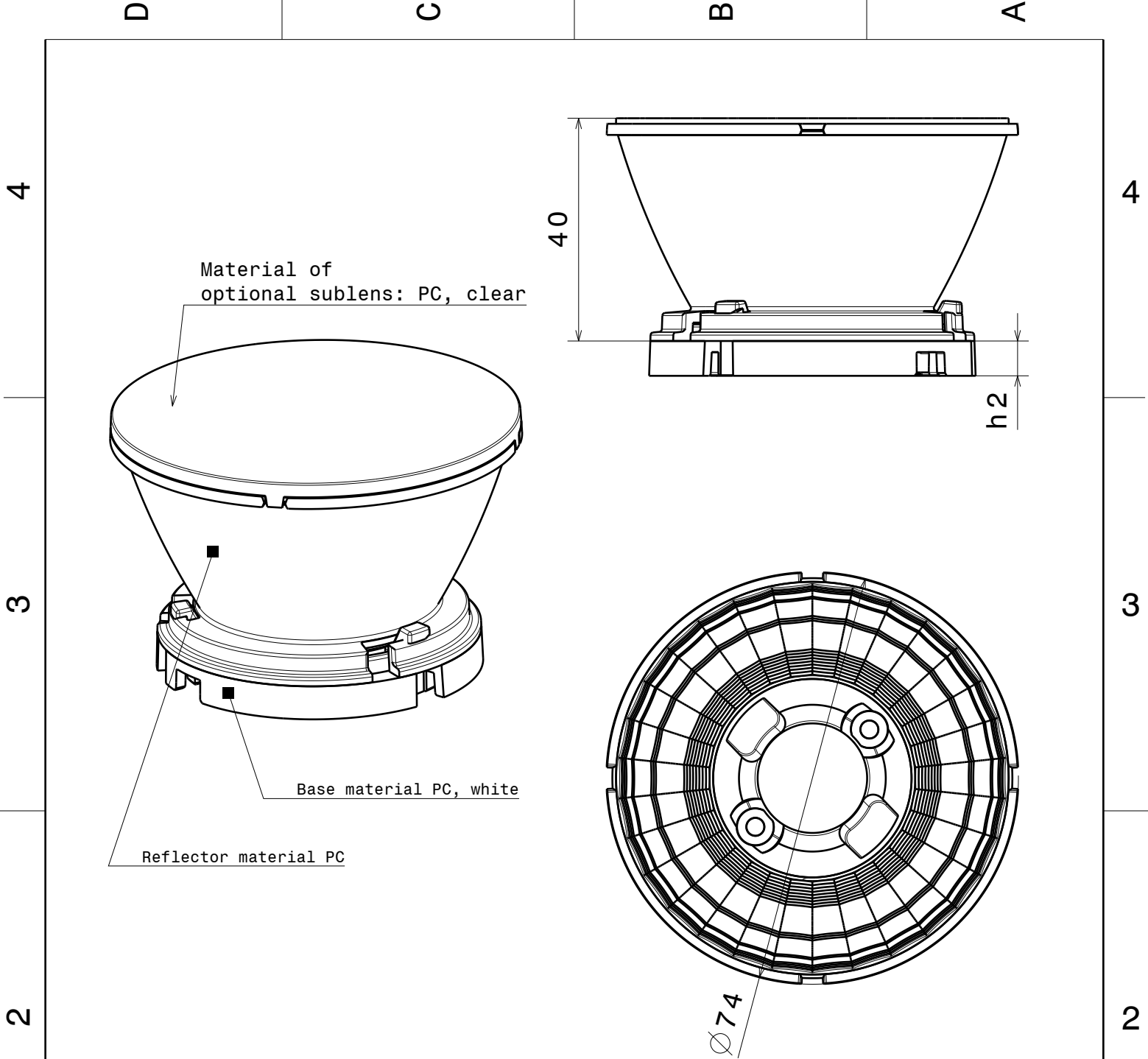
DETAILS

Product Number	CN12937_LENINA-W-DL
Family	Lenina
Type	RefPack
Color	metal
Diameter	74 mm
Height	48,6 mm
Style	round
Optic Material	PC
Holder Material	
Fastening	screw, socket
Status	production ready
ROHS Compliant	Yes
Date Updated	31/10/2016

OPTICAL PROPERTIES

LED	Viewing Angle	Light Beam	Efficiency	cd/lm	Connector
LUXEON K16	56 deg	Wide	79 %	0.900	-
LUXEON K12	57 deg	Wide	83 %	1.000	-





NOTE:

Using optional sublens, add 2.1mm to the system height

Dimension 'h2' varies from 4.5mm to 7mm depending on the LED specific base part

This drawing is our property. It can't be reproduced or communicated without our written agreement.



Ledil Oy
Salorankatu 10
FIN-24240 SALO
Finland

DRAWING TITLE

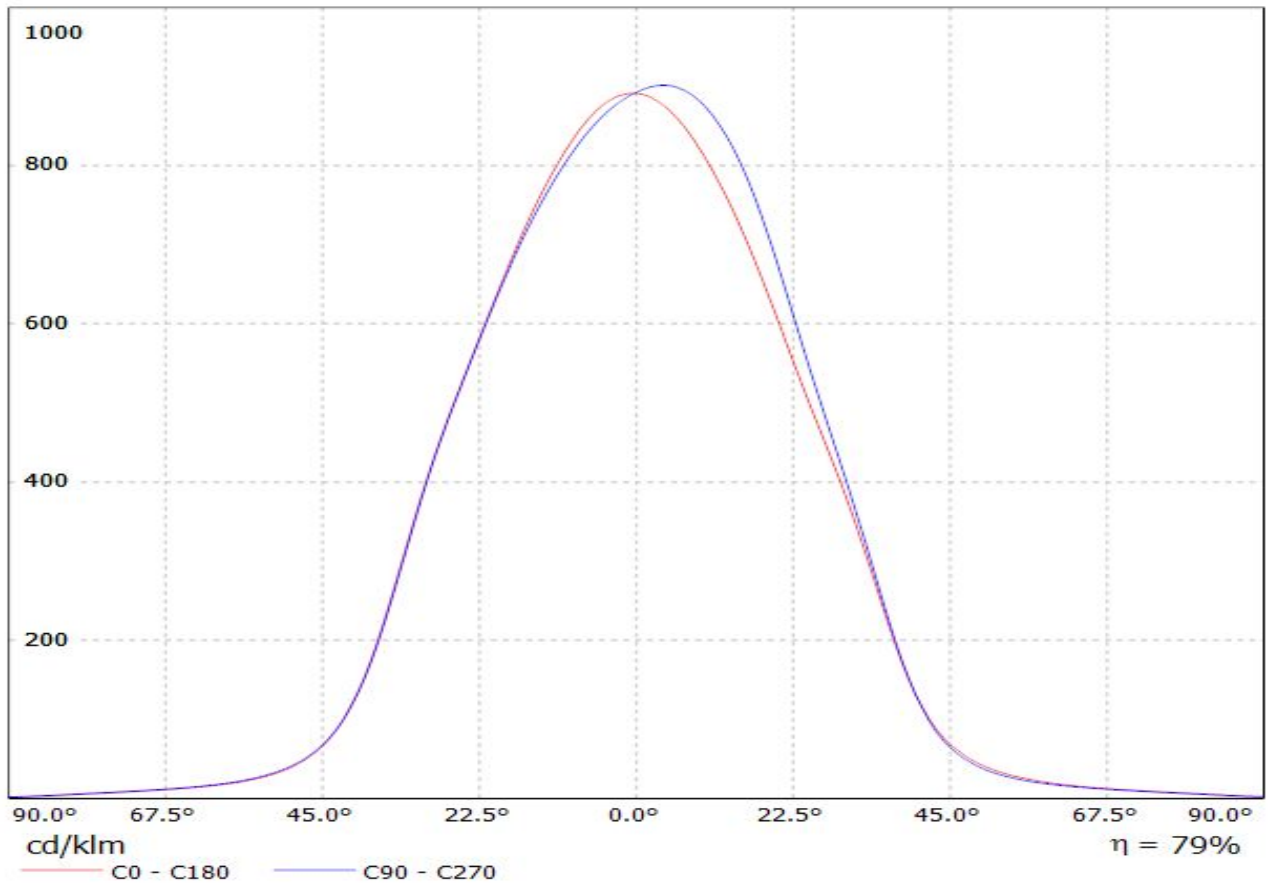
Datasheet Lenina series

DRAWN BY ks		DATE 23.04.2014		SIZE A4			DRAWING NUMBER --		REV 1	
CHECKED BY		DATE							SHEET 1 / 1	
DESIGNED BY pl		DATE 08.03.2012		SCALE 1 : 1		WEIGHT (g)				

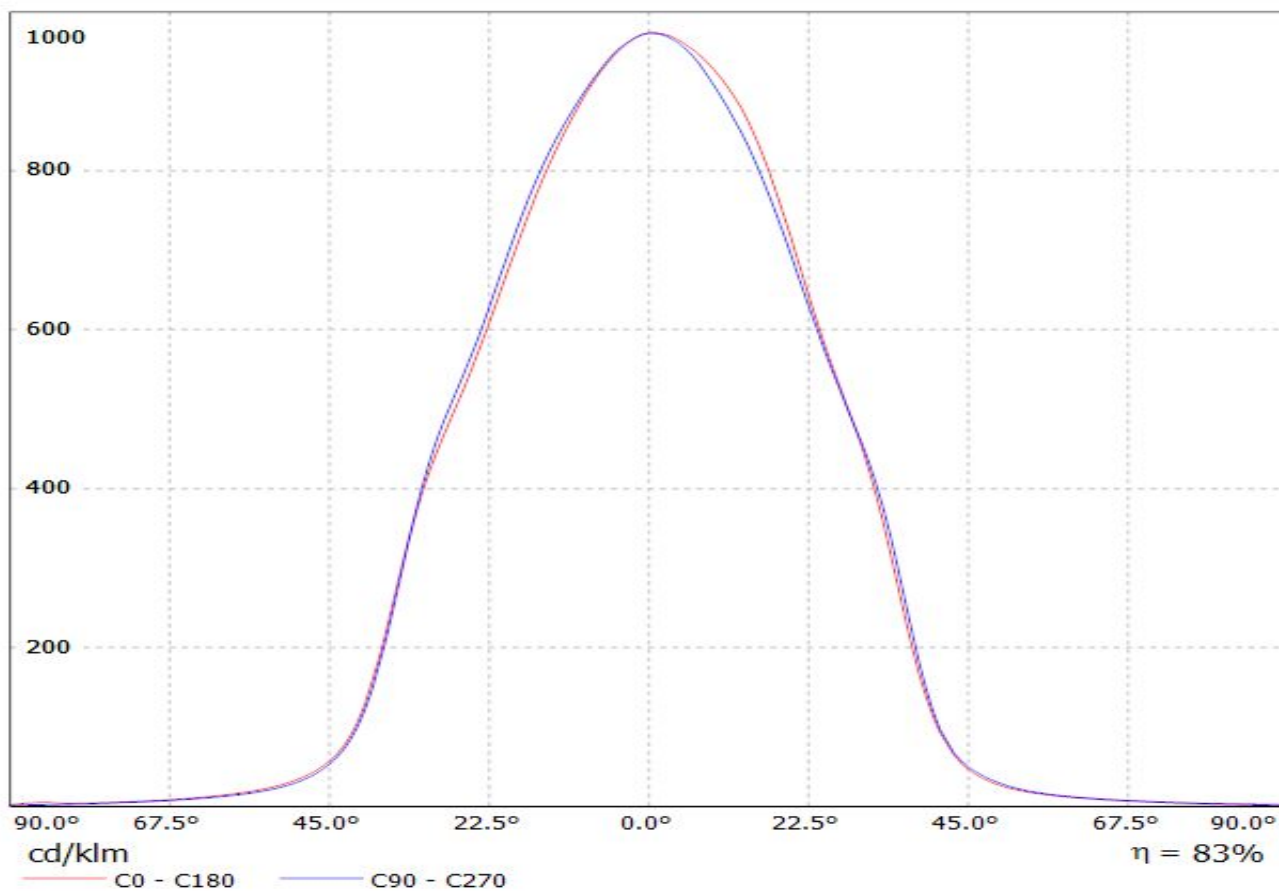
D

A

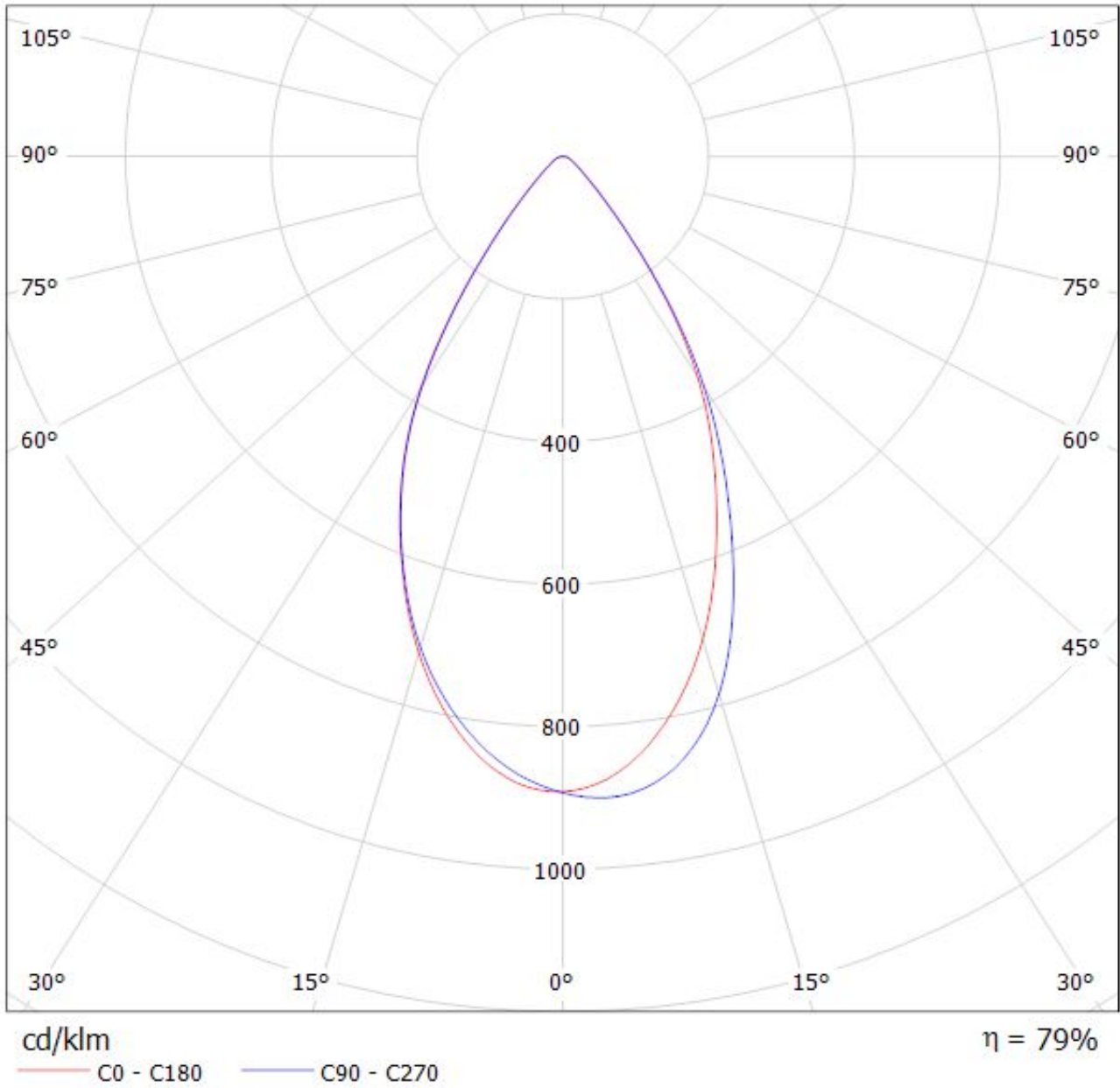
Luminaire: LEDiL Oy CN12937_LENINA-W-DL_(Luxeon_K16) Eff.78.6%
Lamps: 1 x Luxeon_K16 (1208.05lm@250mA)



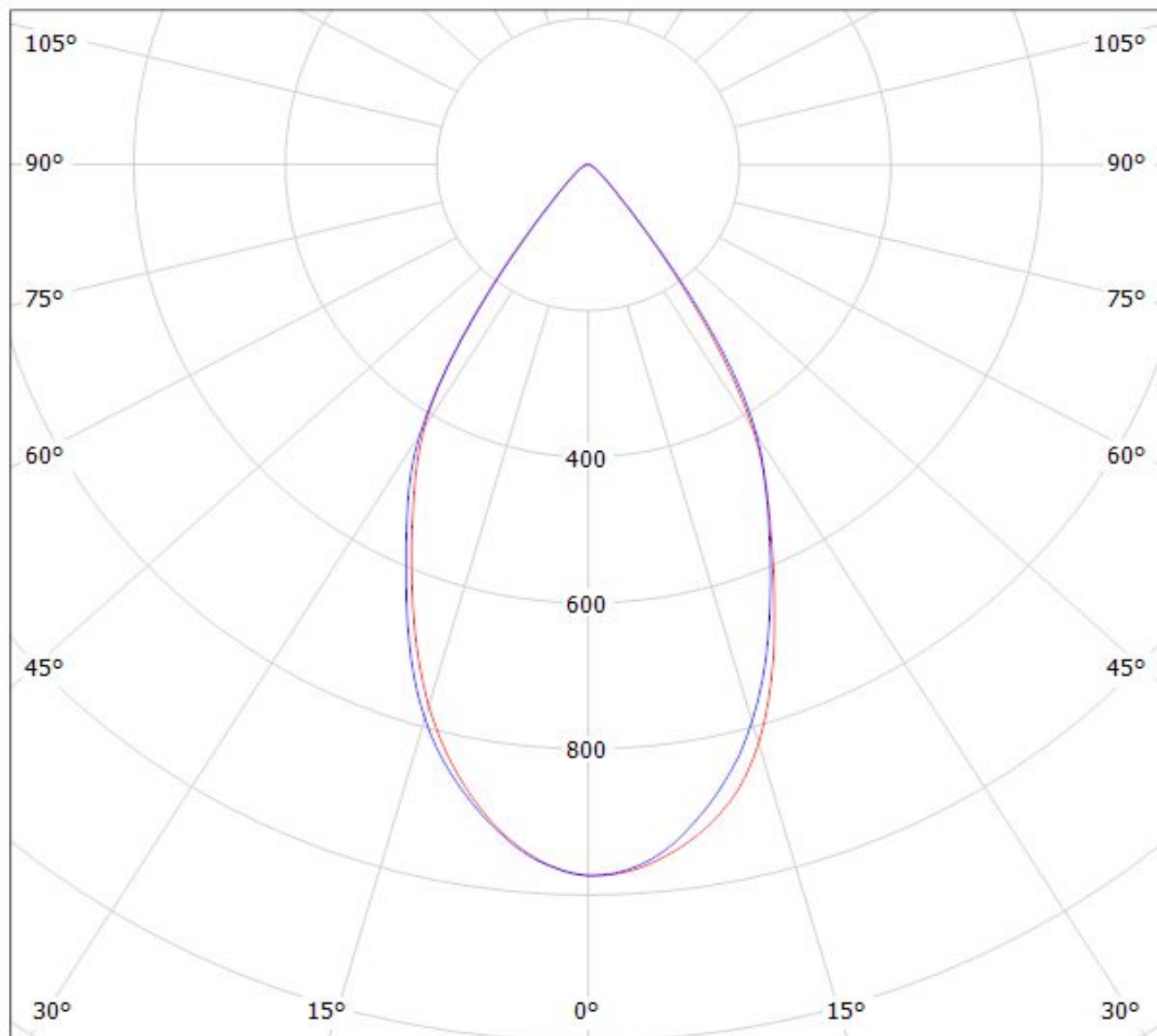
Luminaire: LEDiL Oy CN12937_LENINA-W-DL_(Luxeon-K12) Eff.82.7%
Lamps: 1 x Luxeon-K12 (834.916lm@250mA)



Luminaire: LEDiL Oy CN12937_LENINA-W-DL_(Luxeon_K16) Eff.78.6%
Lamps: 1 x Luxeon_K16 (1208.05lm@250mA)



Luminaire: LEDiL Oy CN12937_LENINA-W-DL_(Luxeon-K12) Eff.82.7%
Lamps: 1 x Luxeon-K12 (834.916lm@250mA)



cd/klm

$\eta = 83\%$

— C0 - C180 — C90 - C270

NOTE: The typical divergence will be changed by different color, chip size and chip position tolerance. The typical total divergence is the full angle measured where the luminous intensity is half of the peak value.