

# Spezifikation für Freigabe / specification for release

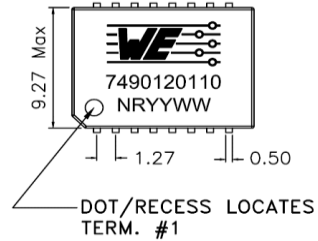
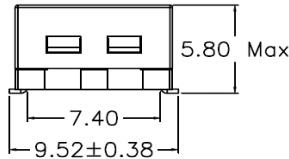
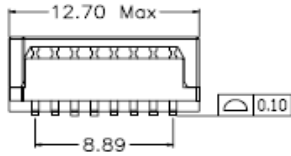
Kunde / customer :  
 Artikelnummer / part number : **7490120110**  
 Bezeichnung : **LAN-Übertrager WE-LAN**  
 description : **LAN-Transformer WE-LAN**



DATUM / DATE : 2016-08-09

## A Mechanische Abmessungen / dimensions :

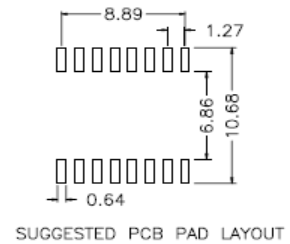
	<b>10/100 BaseT PoE+</b>
--	--------------------------



## B Elektrische Eigenschaften / electrical properties :

Eigenschaften / properties	Testbedingungen / test conditions		Wert / value	Einheit / unit	tol.
Induktivität / Inductance	100kHz / 100mV @ 8mA DC-Bias	OCL	350	µH	min.
Übersetzungsverhältnis / Turns ratio	100kHz / 100mV	TR	1 : 1	Tx	±2%
			1 : 1	Rx	
Insertion Loss	1-100MHz	IL	-1,0	dB	max.
Return Loss	1 MHz-30 MHz @ 100Ω	RL	-16	dB	min.
	30 MHz-60 MHz @ 100Ω		-12		
	60 MHz-80 MHz @ 100Ω		-10		
	80 MHz-100 MHz @ 100Ω		-10		
Common Mode Rejection Ratio	1MHz-30MHz	CMRR	-40	dB	min.
	30MHz-60MHz		-35		
	60MHz-100MHz		-30		
Crosstalk	1MHz-60MHz	CT	-32	dB	min.
	60MHz-100MHz		-30		

## C Lötpad / soldering spec. :



## D Prüfgeräte / test equipment :

<b>E5071C</b>	Network Analyzer
<b>UH36</b>	HiPot Tester
<b>E4980A</b>	LCR Meter

## E Testbedingungen / test conditions :

Luftfeuchtigkeit / humidity:	33%
Umgebungstemperatur / temperature:	+25°C

## F Werkstoffe & Zulassungen / material & approvals :

Basismaterial / base material:	Ferrit/ ferrite
Draht / wire:	QPN 180
Gehäuse / case	UL94-V0
Verguss / potting	UL94-V0

## G Eigenschaften / general specifications :

Betriebstemp. / operating temperature: - 40°C - + 85°C  
 Hochspannungsprüfung / Hipot test: 1500Vrms 1min.  
 Geeignet für 10/100Base-TX gemäß IEEE 802.3at /  
 Compliant with IEEE 802.3at for 10/100Base-TX-Applications  
 Auto MDIX fähig / Auto MDIX capable  
 Stromtragfähigkeit 600mA / Current capability up to 600mA

Freigabe erteilt / general release:	<b>Kunde / customer</b>			
.....	.....			
Datum / date	Unterschrift / signature	JaB	Version 04	2016-08-09
.....	<b>Würth Elektronik</b>	JaB	Version 03	2016-09-14
.....	.....	JaB	Version 02	2016-07-26
.....	.....	JaB	Version 01	2015-01-08
Geprüft / checked	Kontrolliert / approved	Name	Änderung / modification	Datum / date

### Würth Elektronik eiSos GmbH & Co.KG

D-74638 Waldenburg · Max-Eyth-Straße 1 - 3 · Germany · Telefon (+49) (0) 7942 - 945 - 0 · Telefax (+49) (0) 7942 - 945 - 400  
<http://www.we-online.com>

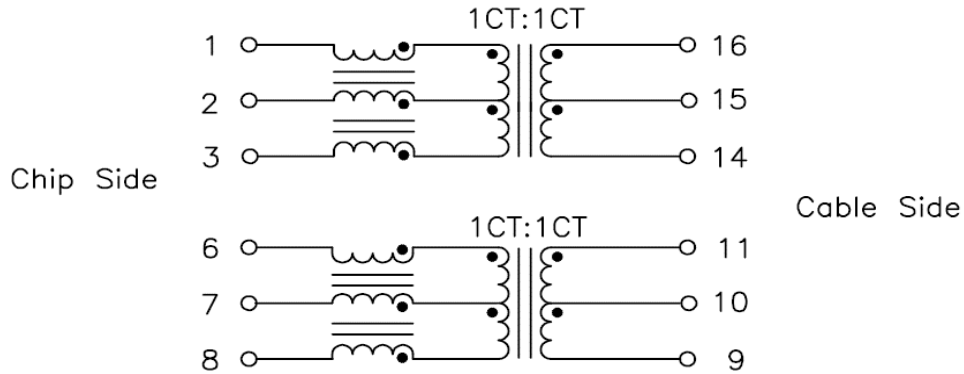
# Spezifikation für Freigabe / specification for release

Kunde / customer :  
 Artikelnummer / part number : **7490120110**  
 Bezeichnung : **LAN-Übertrager WE-LAN**  
 description : **LAN-Transformer WE-LAN**



DATUM / DATE : 2016-08-09

**H Schaltbild / Schematics :**



Freigabe erteilt / general release:	<b>Kunde / customer</b>			
.....	.....			
Datum / date	Unterschrift / signature	JaB	Version 04	2016-08-09
.....	<b>Würth Elektronik</b>	JaB	Version 03	2016-09-14
.....	.....	JaB	Version 02	2016-07-26
.....	.....	JaB	Version 01	2015-01-08
Geprüft / checked	Kontrolliert / approved	Name	Änderung / modification	Datum / date

**Würth Elektronik eiSos GmbH & Co.KG**

D-74638 Waldenburg · Max-Eyth-Straße 1 - 3 · Germany · Telefon (+49) (0) 7942 - 945 - 0 · Telefax (+49) (0) 7942 - 945 - 400  
<http://www.we-online.com>

# Spezifikation für Freigabe / specification for release

Kunde / customer :  
 Artikelnummer / part number : **7490120110**  
 Bezeichnung : **LAN-Übertrager WE-LAN**  
 description : **LAN-Transformer WE-LAN**

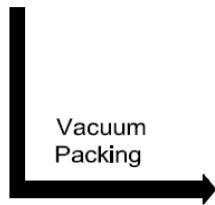
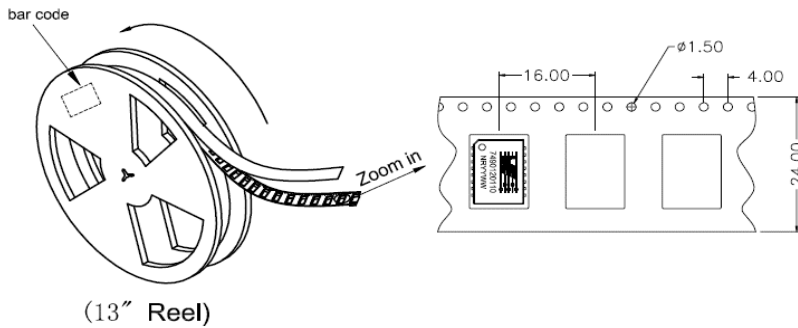


DATUM / DATE : 2016-08-09

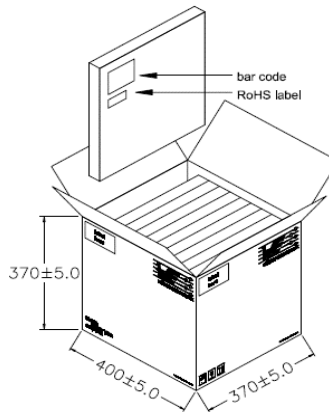
**I Rollenspezifikation / tape and reel specification :**

Gurtspezifikation / Tape specification:

PACKAGING(Tape & Reel)



Outside Carton



PACKING QUANTITY:

650pcs Finished Goods / Reel

10 Reels (6500pcs Finished Goods) / Carton

Freigabe erteilt / general release:	<b>Kunde / customer</b>			
.....	.....			
Datum / date	Unterschrift / signature	JaB	Version 04	2016-08-09
.....	<b>Würth Elektronik</b>	JaB	Version 03	2016-09-14
.....	.....	JaB	Version 02	2016-07-26
.....	.....	JaB	Version 01	2015-01-08
Geprüft / checked	Kontrolliert / approved	Name	<b>Änderung / modification</b>	Datum / date

This electronic component has been designed and developed for usage in general electronic equipment. Before incorporating this component into any equipment where higher safety and reliability is especially required or if there is the possibility of direct damage or injury to human body, for example in the range of aerospace, aviation, nuclear control, submarine, transportation, (automotive control, train control, ship control), transportation signal, disaster prevention, medical, public information network etc, Würth Elektronik eiSos GmbH must be informed before the design-in stage. In addition, sufficient reliability evaluation checks for safety must be performed on every electronic component which is used in electrical circuits that require high safety and reliability functions or performance.

## Würth Elektronik eiSos GmbH & Co.KG

D-74638 Waldenburg · Max-Eyth-Straße 1 - 3 · Germany · Telefon (+49) (0) 7942 - 945 - 0 · Telefax (+49) (0) 7942 - 945 - 400  
<http://www.we-online.com>