

**Product number CA10932_FLARE-B**

Family	Flare	FWHM	10+108 degrees
Type	Assembly	Efficiency	93 %
LED	XB-D	cd/lm	1.520
Color	Clear	Gerber File	Available
Diameter	29 x 22.8 mm		
Height	12.84 mm		
Style	Rectang		
Optic Material	PMMA		
Holder Material	-		
Fastening	["tape", "screw"]		
Status	Production ready		

Product number C10946_FLARE-B

Family	Flare	FWHM	10+108 degrees
Type	Lens	Efficiency	93 %
LED	XB-D	cd/lm	1.520
Color	Clear	Gerber File	Available
Diameter	29 x 23 mm		
Height	12.69 mm		
Style	Rectang		
Optic Material	PMMA		
Holder Material	-		
Fastening	["glue", "screw"]		
Status	Production ready		

NOTE: The typical divergence will be changed by different color, chip size and chip position tolerance. The typical total divergence is the full angle measured where the luminous intensity is half of the peak value.



PRODUCT DATASHEET

Flare series

last update 20/5/2016

GENERAL INFORMATION

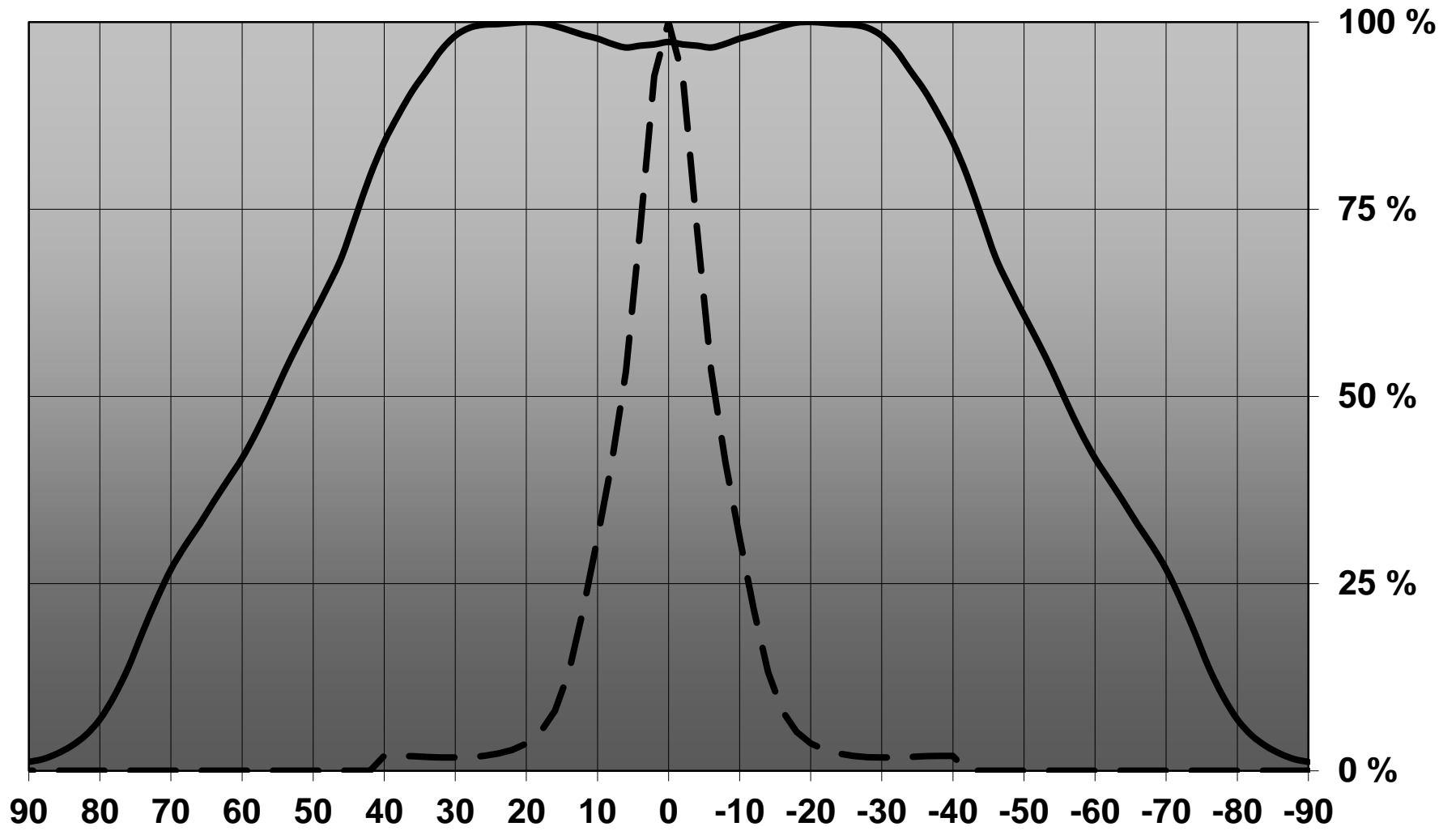
- Product series especially designed & optimized for XB-D series of LEDs.
- Special care taken to make light distribution as uniform as possible.
- Lens material optical grade PMMA with high UV and temperature resistance. Allows use of high current and temperature conditions.

Please find more information about used material from below:

http://ledil.fi/sites/default/files/Documents/Technical/Material/PMMA%20N%20UL94_Yellow%20Card.pdf

<http://ledil.fi/sites/default/files/Documents/Technical/Material/PMMA%20N%20PLEXIGLAS-Datasheet.pdf>

Relative Intensity of Flare-B-XP-G



D

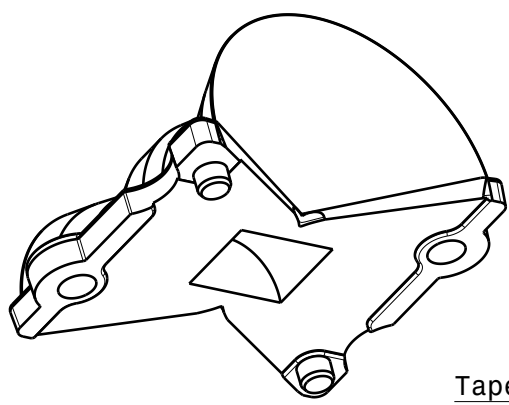
C

B

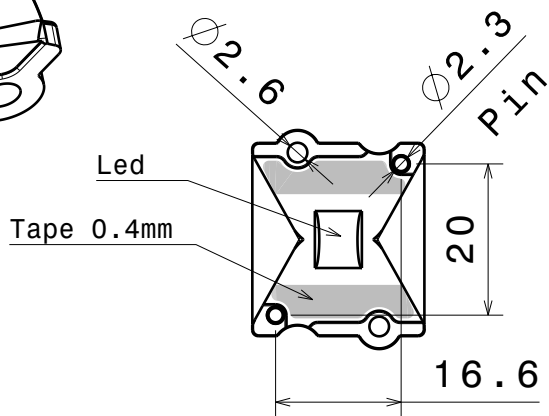
A

4

4



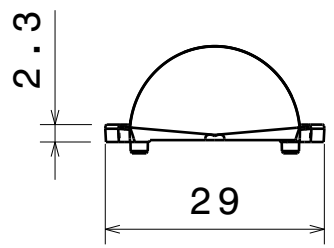
Isometric view
2:1



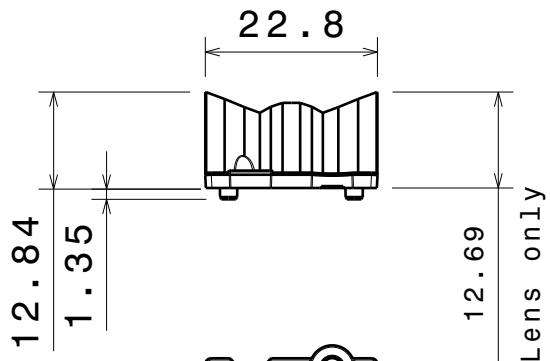
Bottom view

3

3



Right view

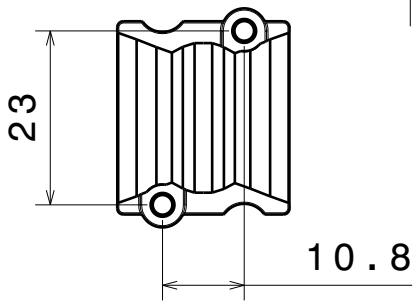


Front view

Part no.s:
CA10932_Flare-B

Part no. without tape fastening:
C10946_Flare-B

MATERIALS
Lens: PMMA
Tape: PU Foam



Top view

2

2

Tolerances if not otherwise shown
According to DIN ISO 2768-1
Linear measures:
Up to 30mm class M, otherwise class C.
According to DIN ISO 2768-2
Form and position: class L

LEDiL LediL Oy
Salorankatu 10
FIN 24240 SALO
Finland

THIRD ANGLE PROJECTION:

DRAWING TITLE
FLARE-B series

This drawing is the property of LEDiL Oy. It may not be reproduced, copied or communicated without a written agreement with LEDiL Oy.

SIZE	PART NUMBER
A4	-

SCALE	1:1	WEIGHT	-	SHEET	1/1
-------	-----	--------	---	-------	-----

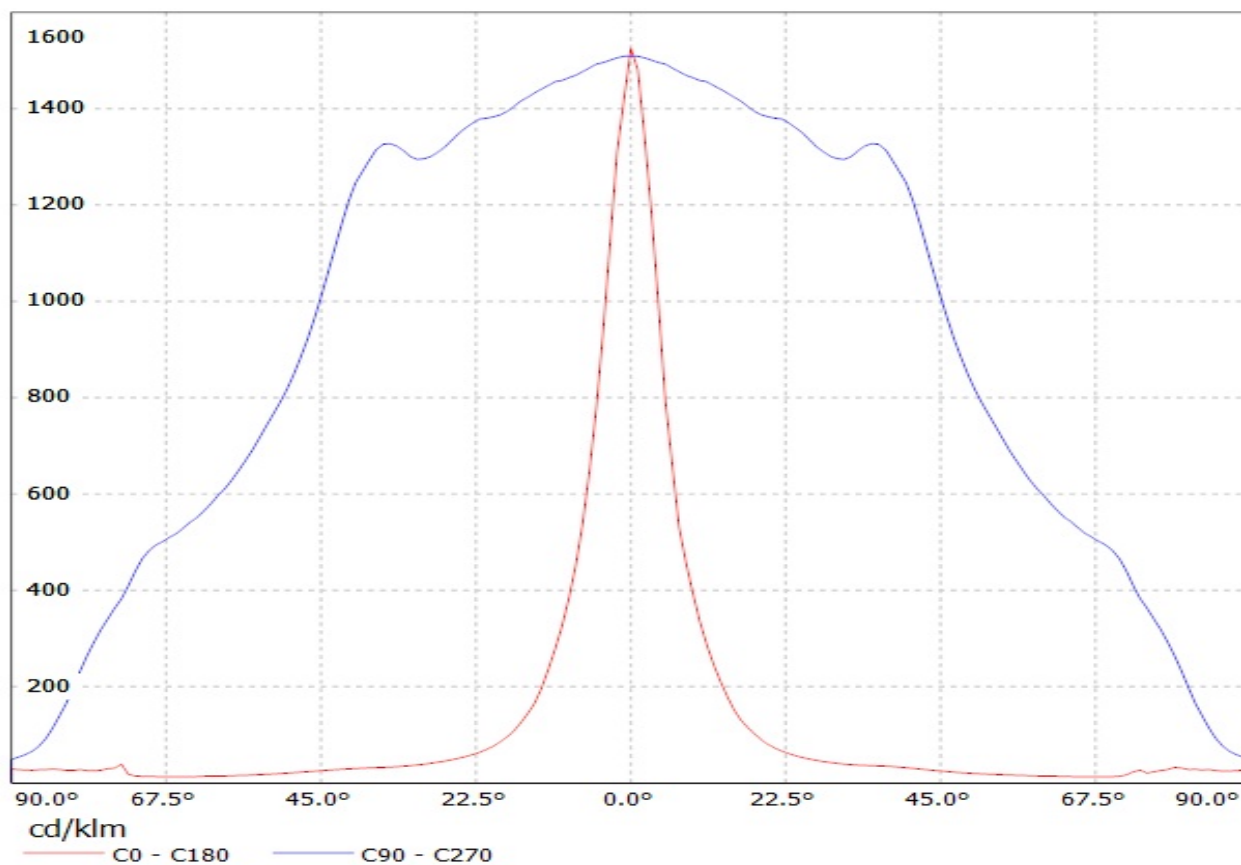
1

1

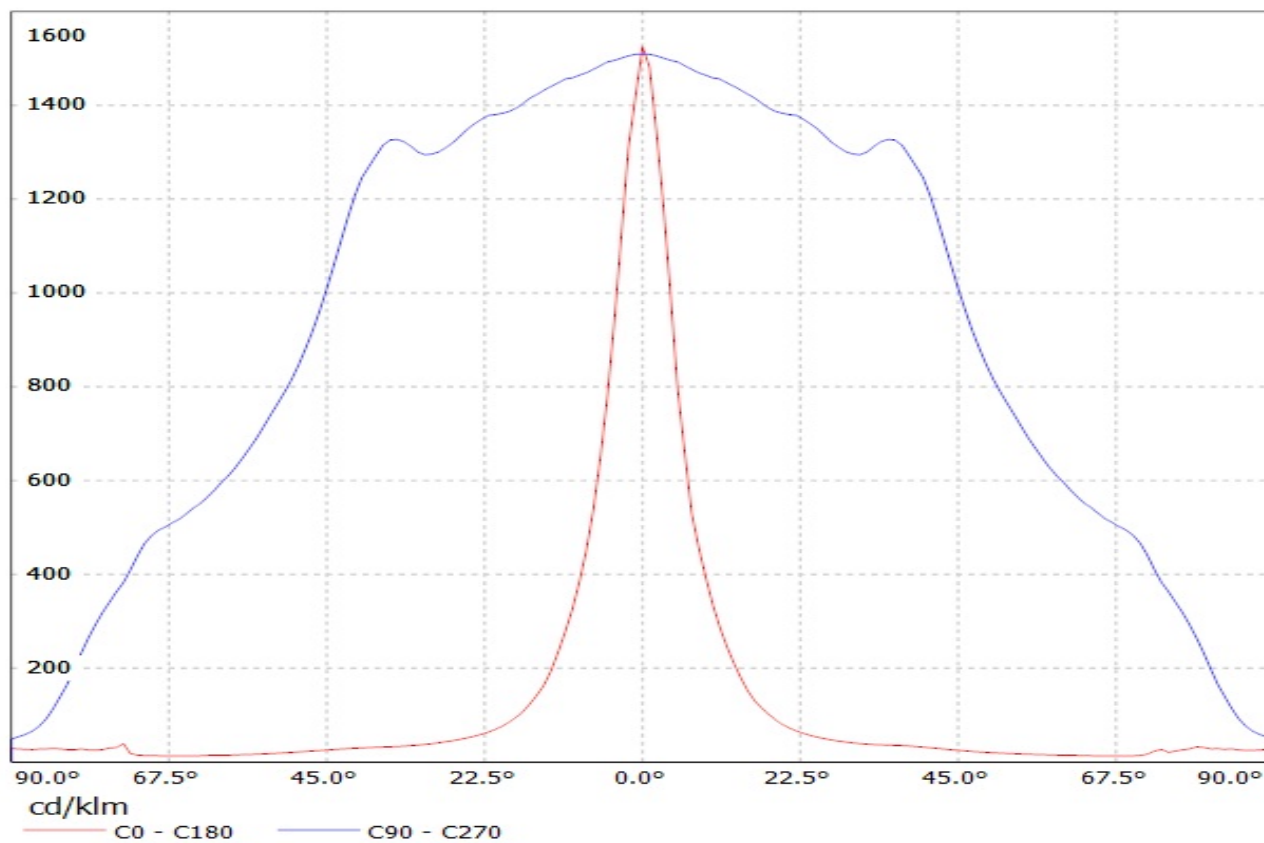
D

A

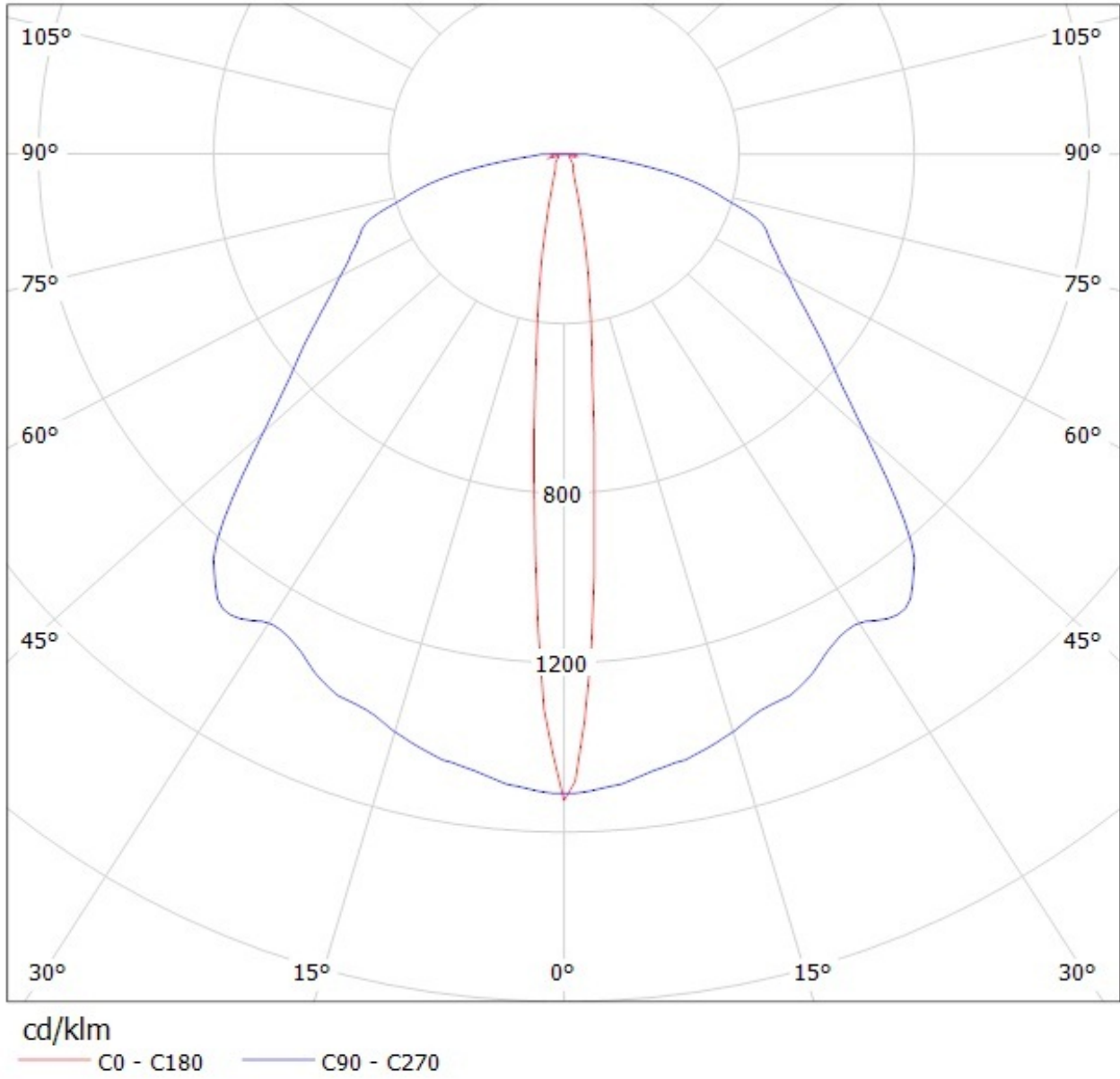
Luminaire: LEDIL OY CA10932_FLARE-B (XB-D) Efficiency=93%
Lamps: 1 x Cree XB-D white (97lm @ 250mA)



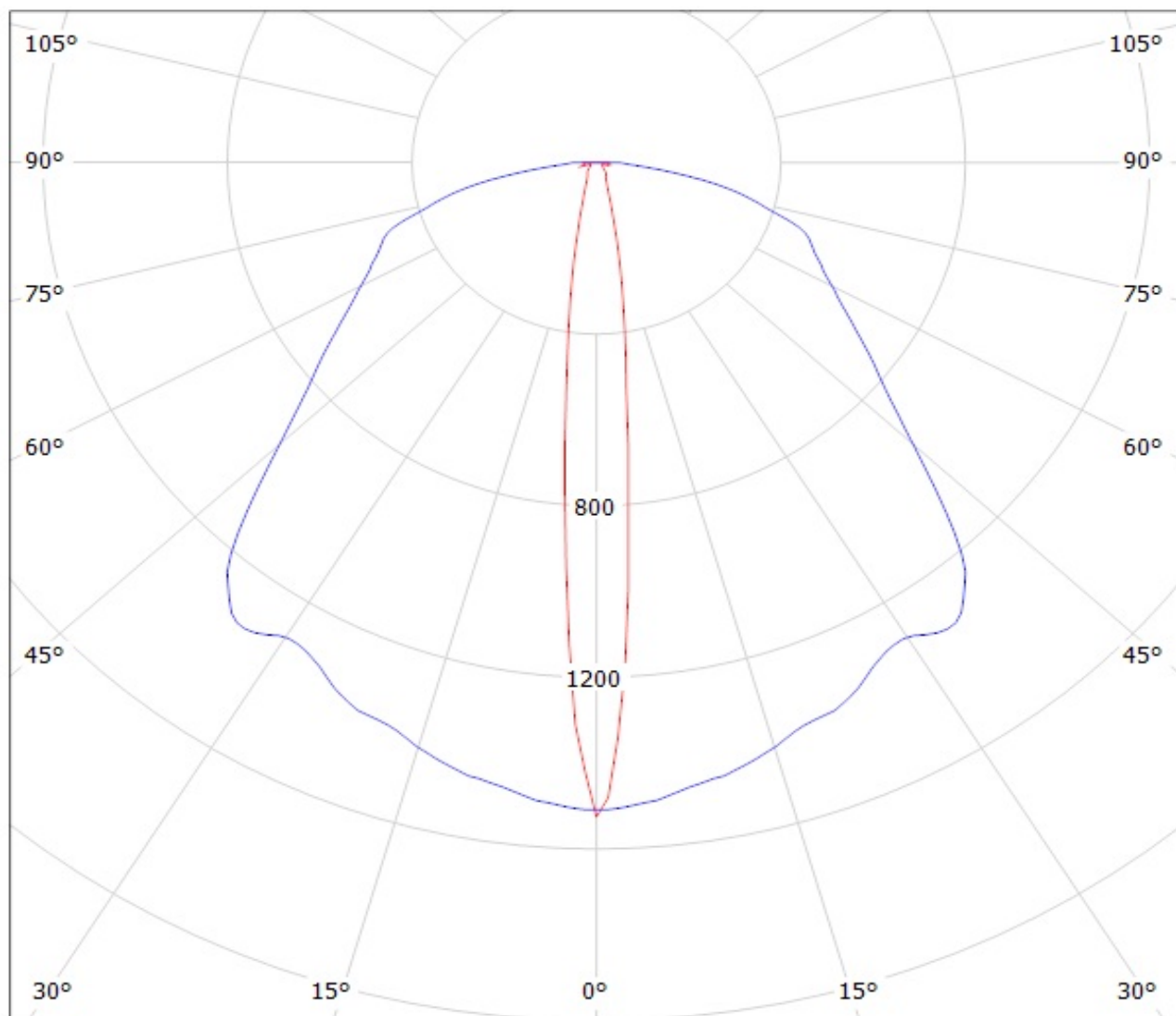
Luminaire: LEDIL OY C10946_FLARE-B / CA10932_FLARE-B (XB-D) Efficiency=93%
Lamps: 1 x Cree XB-D white (97lm @ 250mA)



Luminaire: LEDIL OY CA10932_FLARE-B (XB-D) Efficiency=93%
Lamps: 1 x Cree XB-D white (97lm @ 250mA)



Luminaire: LEDIL OY C10946_FLARE-B / CA10932_FLARE-B (XB-D) Efficiency=93%
Lamps: 1 x Cree XB-D white (97lm @ 250mA)



cd/klm

— C0 - C180 — C90 - C270