

Connectors - QPD P 4X2,5 6-10 GY - 1582372

Please be informed that the data shown in this PDF Document is generated from our Online Catalog. Please find the complete data in the user's documentation. Our General Terms of Use for Downloads are valid (<http://download.phoenixcontact.com>)



QUICKON plug-in connector, gray, 4-pos. without PE, 1.0 mm² ... 2.5 mm²/630 V/20 A, for cables with a diameter of 6 mm ... 10 mm.



Key commercial data

Packing unit	0
Minimum order quantity	1
Catalog page	Page 104 (PC-2011)
GTIN	 4 046356 463539
Custom tariff number	85366990
Country of origin	GERMANY

Technical data

General characteristics

Design	QPD 4x2,5
Color	gray
Locking type	Screw locking
Connection method	QUICKON connection
Connection method	IDC connection
Number of positions	4
Wrench size, union nut	22 mm
Tightening torque, union nut	5 Nm
Number of connections	4
Conductor cross section stranded min.	1.5 mm ²
Conductor cross section stranded max.	2.5 mm ²
Conductor cross section solid min.	1 mm ²
Conductor cross section solid max.	1.5 mm ²
Conductor cross section AWG/kcmil min.	16
Conductor cross section AWG/kcmil max	14

Conductor data

Connectors - QPD P 4X2,5 6-10 GY - 1582372

Technical data

Conductor data

Structure of individual litz in acc. with VDE 0295 / smallest wire diameter	VDE 0295 class 1 to 6 / min. 0.15 mm
Wire insulation material	PVC / PE
Wire diameter including insulation	2.5 mm ... 3.8 mm
External cable diameter	6 mm ... 10 mm

Environmental conditions

Degree of protection	IP68, 24 h / 2 m
Ambient temperature (operation)	-40 °C ... 80 °C
Ambient temperature (storage/transport)	-40 °C ... 80 °C
Temperature when conductor connected	-5 °C ... 50 °C

Electrical characteristics

Nominal current I_N	20 A
Rated current	20 A
Rated voltage (III/3)	630 V
Rated voltage (III/2)	1000 V
Rated voltage (II/2)	1000 V
Rated surge voltage (III/3)	6 kV
Rated surge voltage (III/2)	8 kV
Rated surge voltage (II/2)	8 kV

Mechanical characteristics

QUICKON connectability	max. 10
Insertion/withdrawal cycles	50

Material data

Contact material	CuZn
Contact surface material	Tin-plated
Contact carrier material	PA
Insulating material	PA
Inflammability class according to UL 94	V0
Surge voltage category	III
Pollution degree	3

Classifications

ETIM

ETIM 3.0	EC001121
ETIM 4.0	EC002635
ETIM 5.0	EC002635

UNSPSC

UNSPSC 11	39121522
UNSPSC 12.01	39121522

Connectors - QPD P 4X2,5 6-10 GY - 1582372

Classifications

UNSPSC

UNSPSC 13.2	39121522
UNSPSC 6.01	30211923
UNSPSC 7.0901	39121522

eCl@ss

eCl@ss 4.0	272607xx
eCl@ss 4.1	27260701
eCl@ss 5.0	27143424
eCl@ss 5.1	27143424
eCl@ss 6.0	27143424
eCl@ss 7.0	27440209

Approvals

Approvals


Approvals


VDE Zeichengenehmigung / IECCEB Scheme / GOST

Ex Approvals

Approvals submitted

Approval details

VDE Zeichengenehmigung 	
mm ² /AWG/kcmil	1.5-2.5
Nominal current I _N	20 A
Nominal voltage U _N	690 V

IECCEB Scheme 	
mm ² /AWG/kcmil	1-2.5
Nominal current I _N	20 A
Nominal voltage U _N	690 V

Connectors - QPD P 4X2,5 6-10 GY - 1582372

Approvals



Accessories

Accessories

Marking

Plastic label - EMLP (13X9)R - 0819453



Plastic label, Roll, white, Unlabeled, Can be labeled with: Thermomark R, Thermomark X, Thermomark S, Mounting type: Adhesive, Lettering field: 13 x 9 mm

Plug/Adapter

Coding profile - CP-QPD - 1582459



Keying profile red, for pushing into the QUICKON dome and connector, can be positioned in 90° steps.

Tools

Socket wrench - QSS 22 - 1670206



Allen wrench, for loosening and fastening the QUICKON union nut, WAF 22 mm

Engraving material - GPE 13X 9 WH - 0806932



Engraving material, Sheet, white, Unlabeled, Can be labeled with: Gravur, Plotter, Mounting type: Adhesive, Lettering field: 13 x 9 mm

Connectors - QPD P 4X2,5 6-10 GY - 1582372

Accessories

Protective cap - QPD PSK 2,5 - 1582151



Protective cap made of transparent plastic for QPD connectors 4x 2.5 mm², IP50.

Grommet - KV-DI-PG16-1XASI - 1582462



Seal for one AS-i line, 17.2 x 9 mm, from NBR, black, for IP65/67 degree of protection

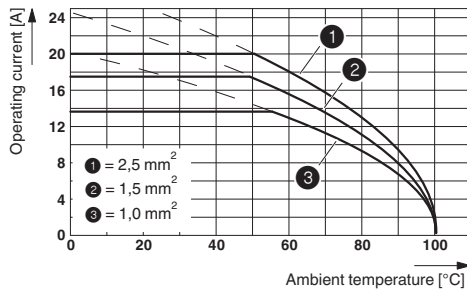
Grommet - KV-DI-PG16-2XASI - 1582464



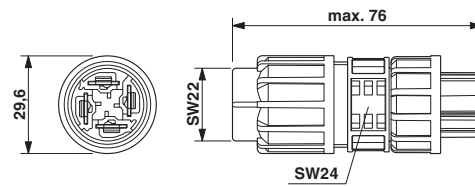
Seal for two AS-i lines, 17.2 x 9 mm, from NBR, black, for IP65/67 degree of protection

Drawings

Diagram

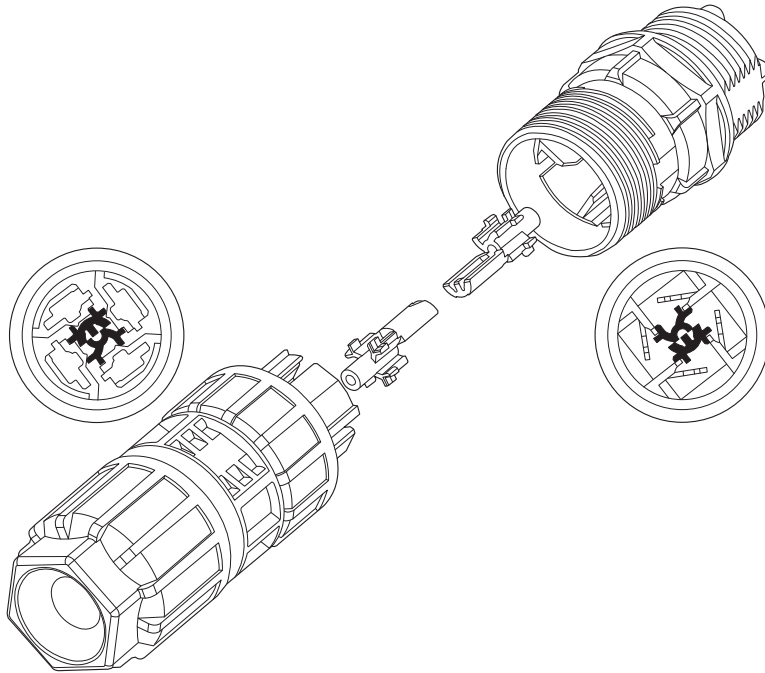


Dimensioned drawing



Connectors - QPD P 4X2,5 6-10 GY - 1582372

Schematic diagram



Keying of the QUICKON plug-in connection

© Phoenix Contact 2012 - all rights reserved
<http://www.phoenixcontact.com>