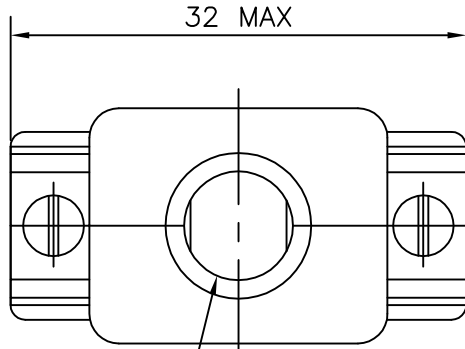
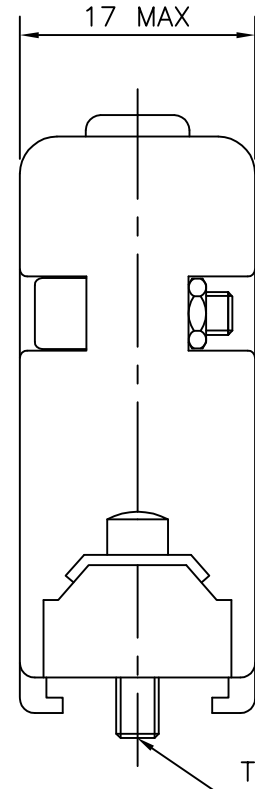
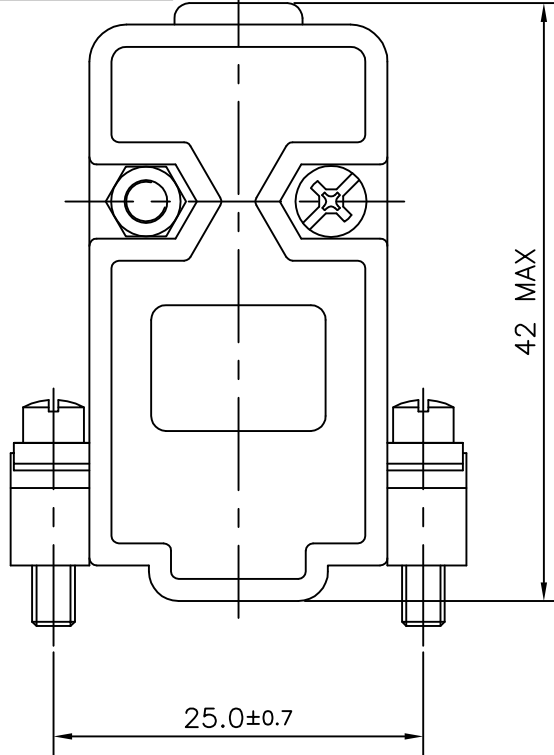


2	8630-CH09UNCLF	UNC 440
1	8630-CH09M3LF	M3
SL.NO.	PART NO:	THREAD



CABLE ENTRY  $\phi 7.5$  MAX



Amphenol FCI

"This LF product meets European Union Directives and other country regulations as described in GS-47-0004"

Packaging as per GS-14-920

MATERIALS:  
 1.ABS UNFILLED UL 94 HB (STANDARD)  
 2.TEMP RANGE -55°C TO +85°C

mat'l. code				surface		tolerance		projection		product family							
-				ISO 1302		ISO 406 ISO 1101				D-SUB							
ltr ecn no dr date				tolerances unless otherwise specified						title							
H ELX-I-25452 GREGAR 2016-11-25				angles		linear		mm		CONNECTOR HOOD 9 POS							
				0°±1'		.00±0.1		scale NTS									
				dr		engr		chr		appd		dwg no		sheet 1 of 1		size	
				MINI K VANDANATH		MITHUN PAUL		GREGAR MATHEW		BIJU K PAUL		C-DSUB-0022		A4			
				1995-03-24		2016-11-25		2016-11-25		2016-11-25		Product Customer Drawing					
sheet index		revision sheet		H													
		1															