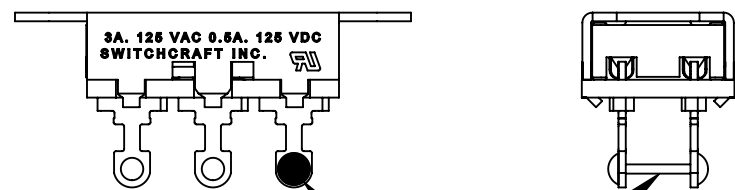


SCHEMATIC
DOUBLE POLE DOUBLE THROW

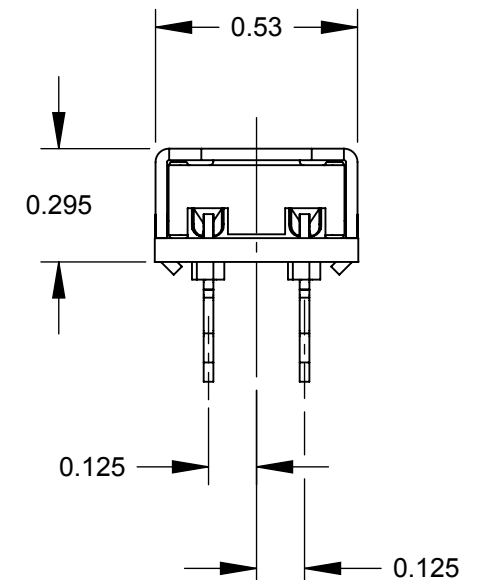
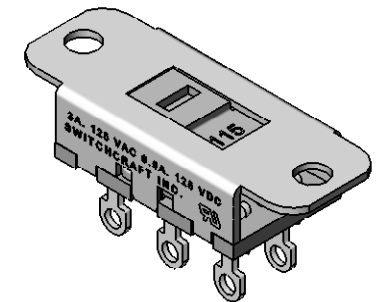
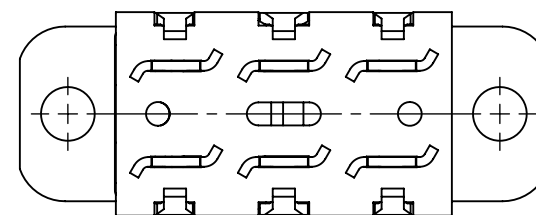
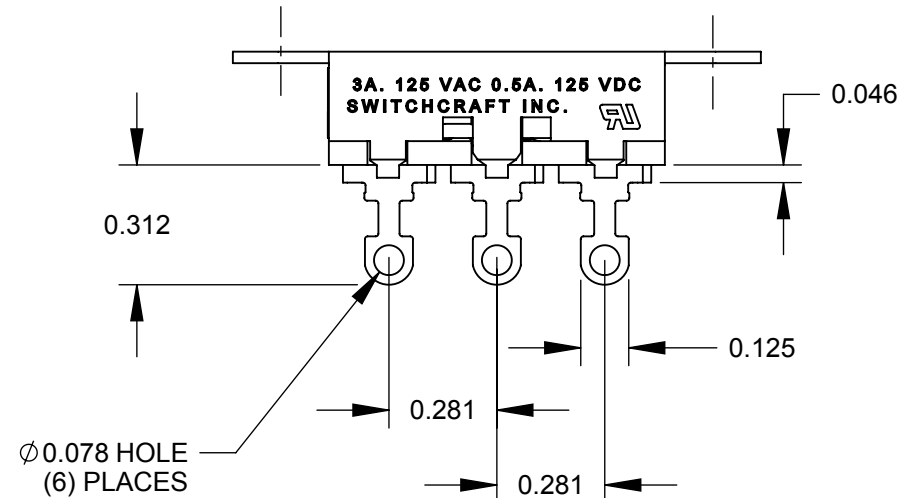
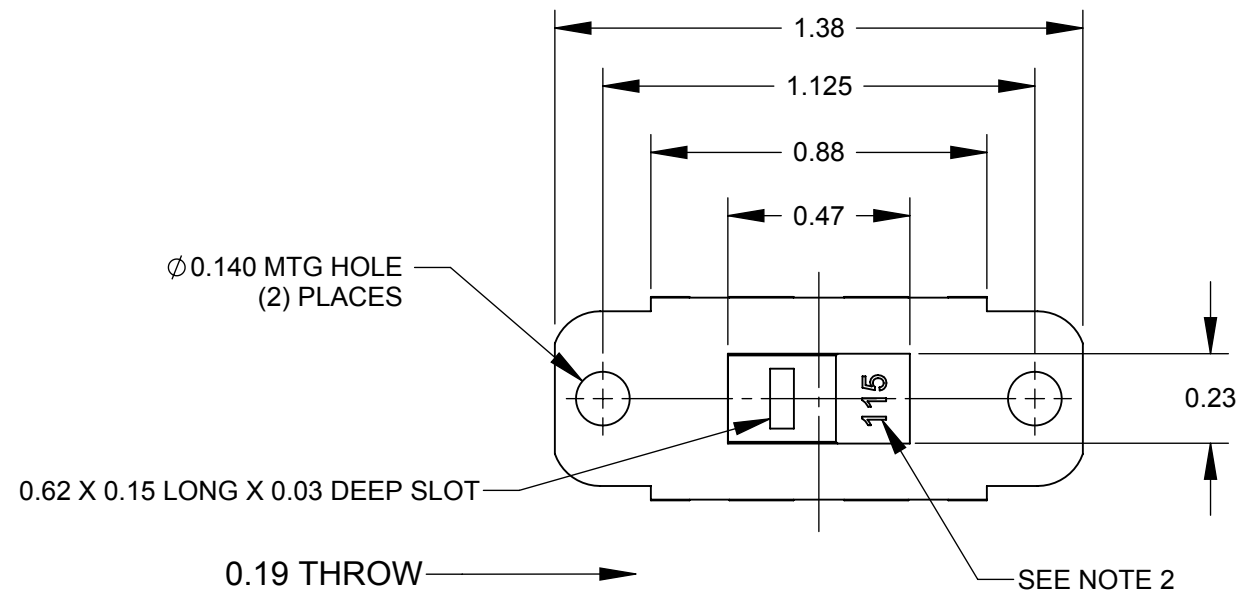
46206LFRX



JUMPER

SCHEMATIC
DOUBLE POLE DOUBLE THROW
WITH JUMPER

46256LFRX



**46206LFRX
SHOWN**

CUSTOMER DRAWING

NOTES:

- ALL DIMENSIONS REFERENCE UNLESS OTHERWISE SPECIFIED.
- NUMBERS HOT STAMPED IN WHITE. 230 VISIBLE IN OTHER DIRECTION
- MATERIALS:
HOUSING - STEEL, ZINC PLATED
BUTTON - THERMOPLASTIC, BLACK
TERMINALS & CONTACT SLIDER - BRASS, SILVER PLATED
TERMINAL BOARD - PHENOLIC
- SWITCH RATING:
3 AMP, 125 V.A.C., 0.5 AMP, 125 V.D.C.
- THIS PRODUCT IS RoHS COMPLIANT.

					THIS DRAWING DESCRIBES A DESIGN CONSIDERED PROPRIETARY IN NATURE, DEVELOPED AND MANUFACTURED BY SWITCHCRAFT INC. AND IS RELEASED ON A CONFIDENTIAL BASIS FOR IDENTIFICATION PURPOSES ONLY.					
					UNLESS OTHERWISE SPECIFIED	SIZE	WIDTH	MULT	LBS/M	TEMPER
					1. ALL DIMENSIONS IN INCHES					MATERIAL
					- TWO PLACE DECIMALS ±0.02					SPEC No.
					- THREE PLACE DECIMALS ±0.005					SCALE
										2:1
						DATE DRAWN	BY	CHKD	APVD	Switchcraft®
						2/19/09	RS	RS	TJK	
										SHEET 1 OF 1
										PART No.
										46200LFRX SERIES
										REV
										A

REVISIONS

DO NOT SCALE DRAWING

SolidWorks CAD File **B**