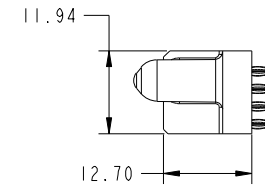
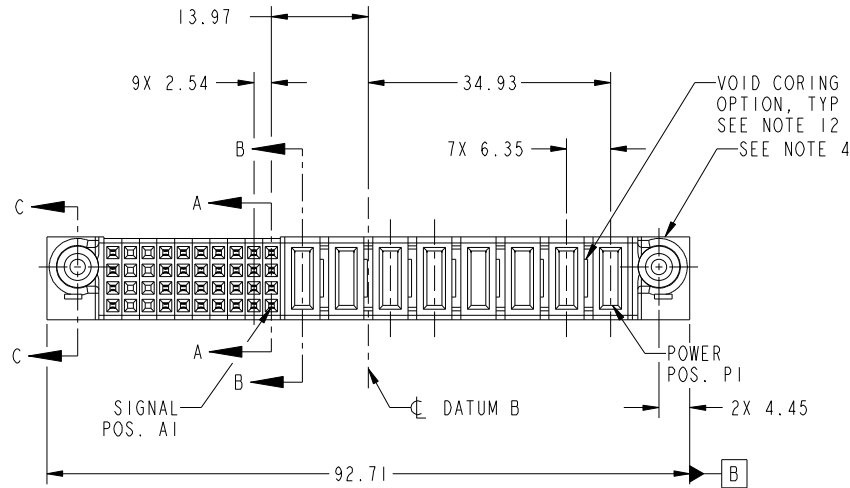


Tous droits strictement reserves. Reproduction ou communication a des tiers interdite sous quelque forme que ce soit sans autorisation écrite du propriétaire. Propriete de c FCI. Droits de reproduction FCI.



All rights strictly reserved. Reproduction or issue to third parties in any form whatever is not permitted without written authority from the proprietor. Property of FCI. Copyright FCI.

PRODUCT NO.	ROWS	SIGNAL										POWER																													
		E2	10	9	8	7	6	5	4	3	2	1	P8	P7	P6	P5	P4	P3	P2	P1	E1																				
51752-029-- NOTE: 3	D C B A		F	X	X	F	F	F	F	F	F	F	F	F	F	F	F	F	F	F	F	PC	PC	PC	PC	PC	PC	PC	PC	PC	PC	PC	PC	PC	PC	PC	PC	PC	PC	PC	
		F	X	X	F	F	F	F	F	F	F	F	F	F	F	F	F	F	F	F	F	F	PC	PC	PC	PC	PC	PC	PC	PC	PC	PC	PC	PC	PC	PC	PC	PC	PC	PC	PC
		F	X	X	F	F	F	F	F	F	F	F	F	F	F	F	F	F	F	F	F	F	PC	PC	PC	PC	PC	PC	PC	PC	PC	PC	PC	PC	PC	PC	PC	PC	PC	PC	PC
		F	X	X	F	F	F	F	F	F	F	F	F	F	F	F	F	F	F	F	F	F	PC	PC	PC	PC	PC	PC	PC	PC	PC	PC	PC	PC	PC	PC	PC	PC	PC	PC	PC



CODE	DIM "M" MATING LENGTH	CONTACT TYPE
PC	[1.07]	POWER
F	[N/A]	SIGNAL
X	OMITTED	OMITTED

mat'l code				SEE NOTES		tolerances unless otherwise specified		CUSTOMER		 www.fciconnect.com	
ltr	ecn no.	dr	date	linear	0.X ±0.5	projection	 MIM	COPY		title	
A	DG09-0320	JC	21-Oct-09	angles	0.XX ±0.25	 1:1		product family		8P + 40S	
				dr	0.XXX ±0.1			PwrBlade		VERTICAL PRESS-FIT RECEPT	
				enr	0° ±2°	scale		product family	PwrBlade	code	213
				chr	Jerome Chen 05-Oct-09	size		dwg no	51752-029	sheet	1 of 4
				appd	Jerome Chen 05-Oct-09	A					
					PM Zheng 05-Oct-09						
					Joseph Hsia 05-Oct-09						
sheet index	revision sheet	A	A	A	A						
		1	2	3	4						

cage code 22526

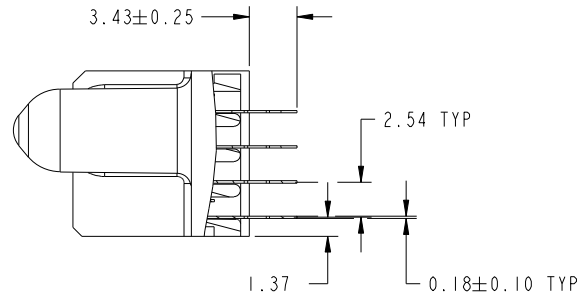
Pro/E

Tous droits strictement reserves. Reproduction ou communication a des tiers interdite sous quelque forme que ce soit sans autorisation écrite du propriétaire. Propriete de c FCI. Droits de reproduction FCI.

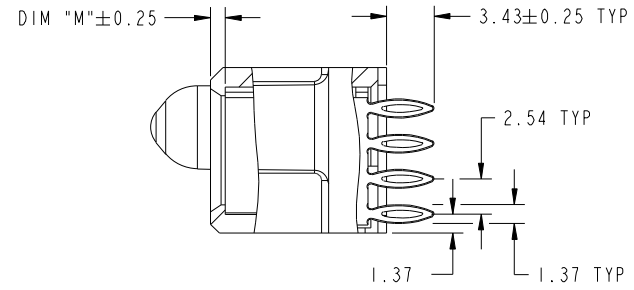
All rights strictly reserved. Reproduction or issue to third parties in any form whatever is not permitted without written authority from the proprietor. Property of FCI. Copyright FCI.



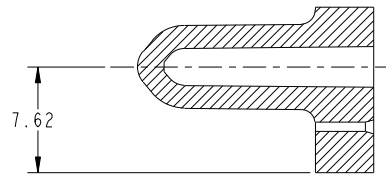
PRODUCT NUMBER  
51752-029--  
NOTE: 3



SECTION A-A  
SCALE 2:1



SECTION B-B  
SCALE 2:1



SECTION C-C  
SCALE 2:1

mat'l code				tolerances unless otherwise specified		CUSTOMER		FCI	
ltr	ecr no.	dr	date	linear	0.X ± 0.5	COPY		www.fciconnect.com	
A				linear	0.XX ± 0.25	projection		title	
				angles	0.XXX ± 0.1			8P + 40S VERTICAL PRESS-FIT RECEIPT	
				dr	0° ± 2°			product family	
				enr	Jerome Chen 05-Oct-09	scale		PwrBlade	
				chr	Jerome Chen 05-Oct-09	1:1		code	
				appd	PM Zheng 05-Oct-09	A		213	
					Joseph Hsia 05-Oct-09			sheet	
sheet index		revision sheet						2 of 4	
								2 of 4	

cage code 22526

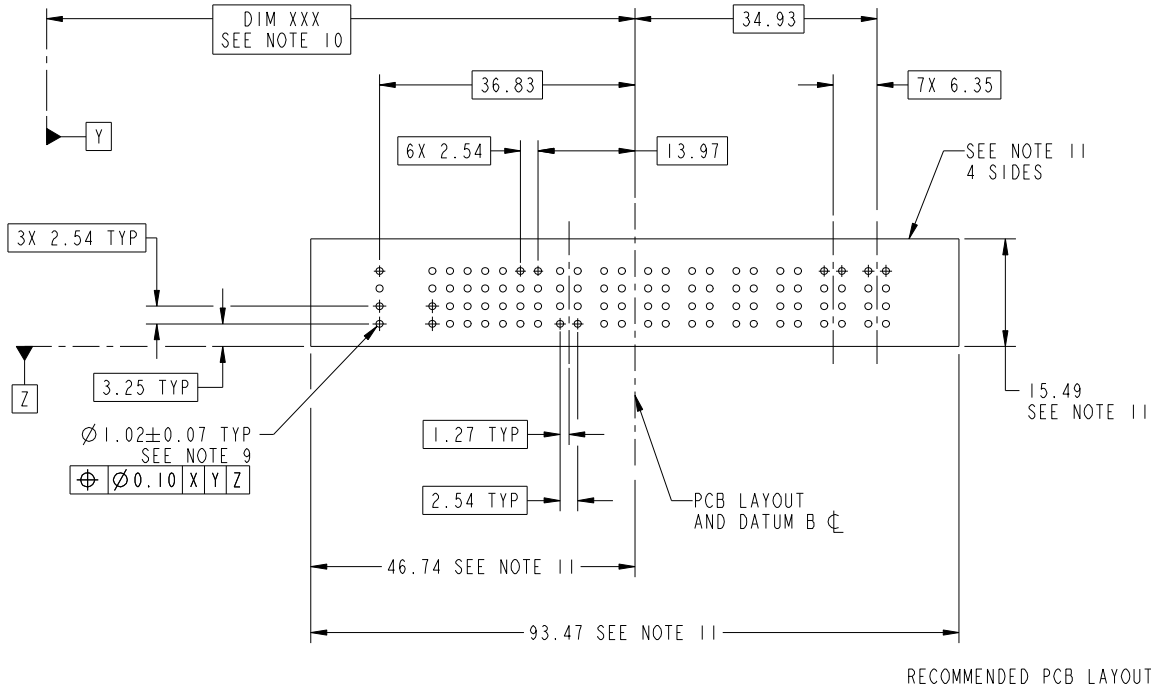
Pro/E

Tous droits strictement reserves. Reproduction ou communication a des tiers interdite sous quelque forme que ce soit sans autorisation écrite du propriétaire. Propriete de c FCI. Droits de reproduction FCI.



All rights strictly reserved. Reproduction or issue to third parties in any form whatever is not permitted without written authority from the proprietor. Property of FCI. Copyright FCI.

PRODUCT NUMBER  
51752-029-  
NOTE: 3



RECOMMENDED PCB LAYOUT

mat'l code				tolerances unless otherwise specified			CUSTOMER		FCI	
ltr	ecn no.	dr	date	linear	0.X ±0.5		COPY		www.fciconnect.com	
A					0.XX ±0.25		projection		title 8P + 40S	
					0.XXX ±0.1				VERTICAL PRESS-FIT RECEPT	
				angles	0° ±2°				product family PwrBlade code 213	
				dr	Jerome Chen	05-Oct-09	scale		size dwg no 213	
				enr	Jerome Chen	05-Oct-09	1:1		sheet 3 of 4	
				chr	PM Zheng	05-Oct-09	A		51752-029	
				appd	Joseph Hsia	05-Oct-09				
sheet index	revision sheet									

cage code 22526

Pro/E

Tous droits strictement reserves. Reproduction ou communication a des tiers interdite sous quelque forme que ce soit sans autorisation écrite du propriétaire. Propriete de c FCI. Droits de reproduction FCI.



All rights strictly reserved. Reproduction or issue to third parties in any form whatever is not permitted without written authority from the proprietor. Property of FCI. Copyright FCI.

PRODUCT NUMBER  
51752-029--  
NOTE: 3

NOTES:

1. DIMENSIONS AND TOLERANCES ARE IN ACCORDANCE WITH ASME Y14.5M, 1994 UNLESS OTHERWISE SPECIFIED.

CONNECTOR NOTES:

- 2 HOUSING MATERIAL: UL 94 V-0 GLASS FILLED HIGH-TEMP THERMOPLASTIC  
POWER CONTACT MATERIAL: COPPER ALLOY  
SIGNAL PIN MATERIAL: COPPER ALLOY
- 3. PLATING SPEC.  
SEE ITEM 7 & 8 IN PRINT 10064183 FOR PLATING SPEC OF 51752-029 AND 51752-029LF RESPECTIVELY
- 4 MANUFACTURER'S NAME, DATE CODE AND OPTIONAL P/N TO APPEAR ON THIS SURFACE.  
THE P/N CAN BE OMITTED IF THERE IS NOT ENOUGH SPACE ON THIS SURFACE.
- 5. PRODUCT SPECIFICATION GS-12-149.  
APPLICATION SPECIFICATION BUS-20-067.

6. PACKAGED IN TRAYS.

PCB NOTES:

7. ALL HOLE DIAMETERS ARE FINISHED HOLE SIZE.

8 MOUNTING HOLES, WHERE APPLICABLE, ARE UNPLATED.

9  $\varnothing 1.151 \pm 0.025$  DRILLED HOLES PLATED WITH  
0.008 MIN SnPb OR Sn OVER 0.03  
TO 0.08 Cu PLATING TO ACHIEVE  
 $\varnothing 1.02 \pm 0.07$  HOLE.

10 "DIM XXX" TO BE DETERMINED BY THE CUSTOMER.

11 CONNECTOR KEEP-OUT ZONE.

12. THE VOID CORING IN BETWEEN POWER MODULES, SIGNAL MODULES AND END MODULES ARE OPTIONAL AND THE SHAPE MAY BE DIFFERENT FOR OPTIMIZE THE MOLDING PROCESS. THE VOID CORING WILL NOT EFFECT TO PRODUCT FUNCTION.

mat'l code				tolerances unless otherwise specified		CUSTOMER			
ltr	ecn no.	dr	date	linear	0.X ± 0.5	COPY		www.fciconnect.com	
A				linear	0.XX ± 0.25	projection		title	
				angles	0.XXX ± 0.1			8P + 40S VERTICAL PRESS-FIT RECEPT	
				dr	0° + 2°	MIM		product family PwrBlade code	
				enr	Jerome Chen 05-Oct-09			size 213	
				chr	Jerome Chen 05-Oct-09	scale		dwg no 4 of 4	
				appd	PM Zheng 05-Oct-09	1:1		sheet	
					Joseph Hsia 05-Oct-09	A		51752-029	
sheet index	revision sheet								

cage code 22526

Pro/E