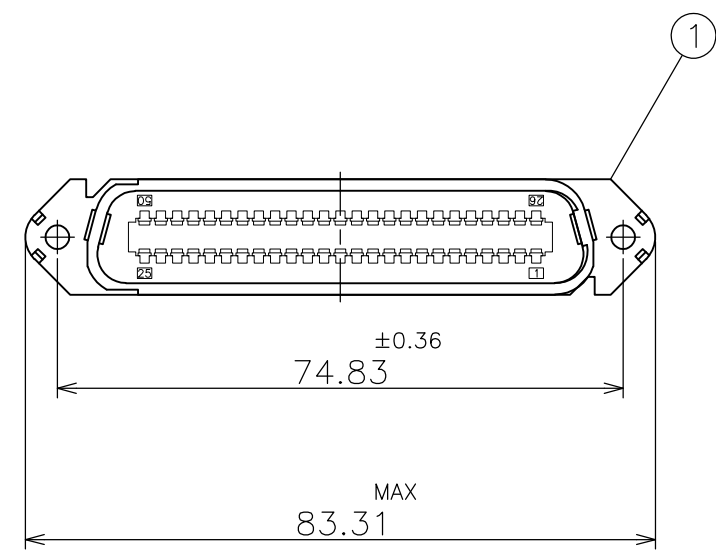
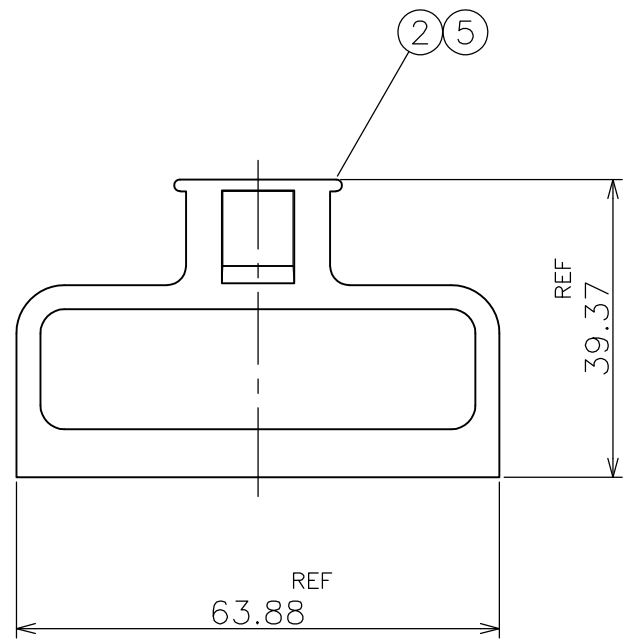
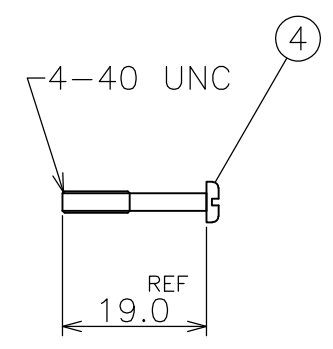
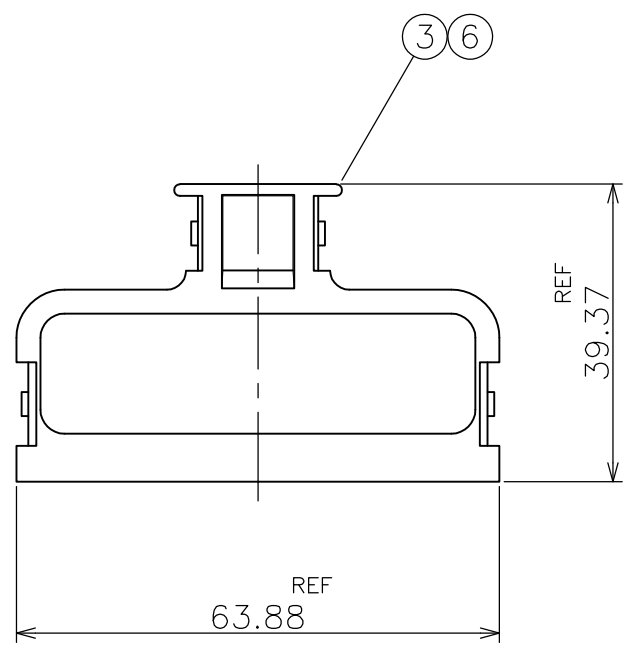


THIS DRAWING IS UNPUBLISHED. RELEASED FOR PUBLICATION AUG ,1992.  
 © COPYRIGHT 1992 By - ALL RIGHTS RESERVED.

LOC	DIST	REVISIONS			
P	LTR	DESCRIPTION	DATE	DWN	APVD
J		A1	REVISED ECR-12-013666	26MAR13	K.M E.T



1. THESE COMPONENTS MUST BE PACKED THE CONDITION OF LOOSE PIECE IN POLYETHYLENE BAG.



**A1**  
OBSOLETE

1	-	CABLE COVER KIT 180°	∅12.19~∅13.97	552008-1	5,6
+	1	CABLE COVER 180° (GRV SIDE)	∅10.92~∅12.45	4-552007-1	4
+	1	CABLE COVER 180° (TNG SIDE)		4-552006-1	3
2	1	CAPTIVE PAN HEAD SCREW	—//—	5229911-1	2
1	1	CHAMP PLUG 50P	—//—	229974-1	1
-2	-1	NAME	CABLE RANGE DIAMETER	PART NO.	ITEM NO.

QTY REQD PER ASSY PARTS LIST

THIS DRAWING IS A CONTROLLED DOCUMENT.		DWN C.WANG 2AUG05	TE Connectivity		
DIMENSIONS: mm		CHK I.WANG 2AUG05			
TOLERANCES UNLESS OTHERWISE SPECIFIED:		APVD S.YAO 2AUG05	NAME CHAMP PLUG CABLE COVER KIT		
0 PLC ± 1 PLC ± 2 PLC ± 3 PLC ± 4 PLC ± ANGLES ± FINISH		PRODUCT SPEC	RESTRICTED TO		
MATERIAL		APPLICATION SPEC	SIZE A3	CAGE CODE 00779	DRAWING NO C-5177578
		WEIGHT	SCALE 1:1 SHEET 1 OF 1 REV A1		
		CUSTOMER DRAWING			