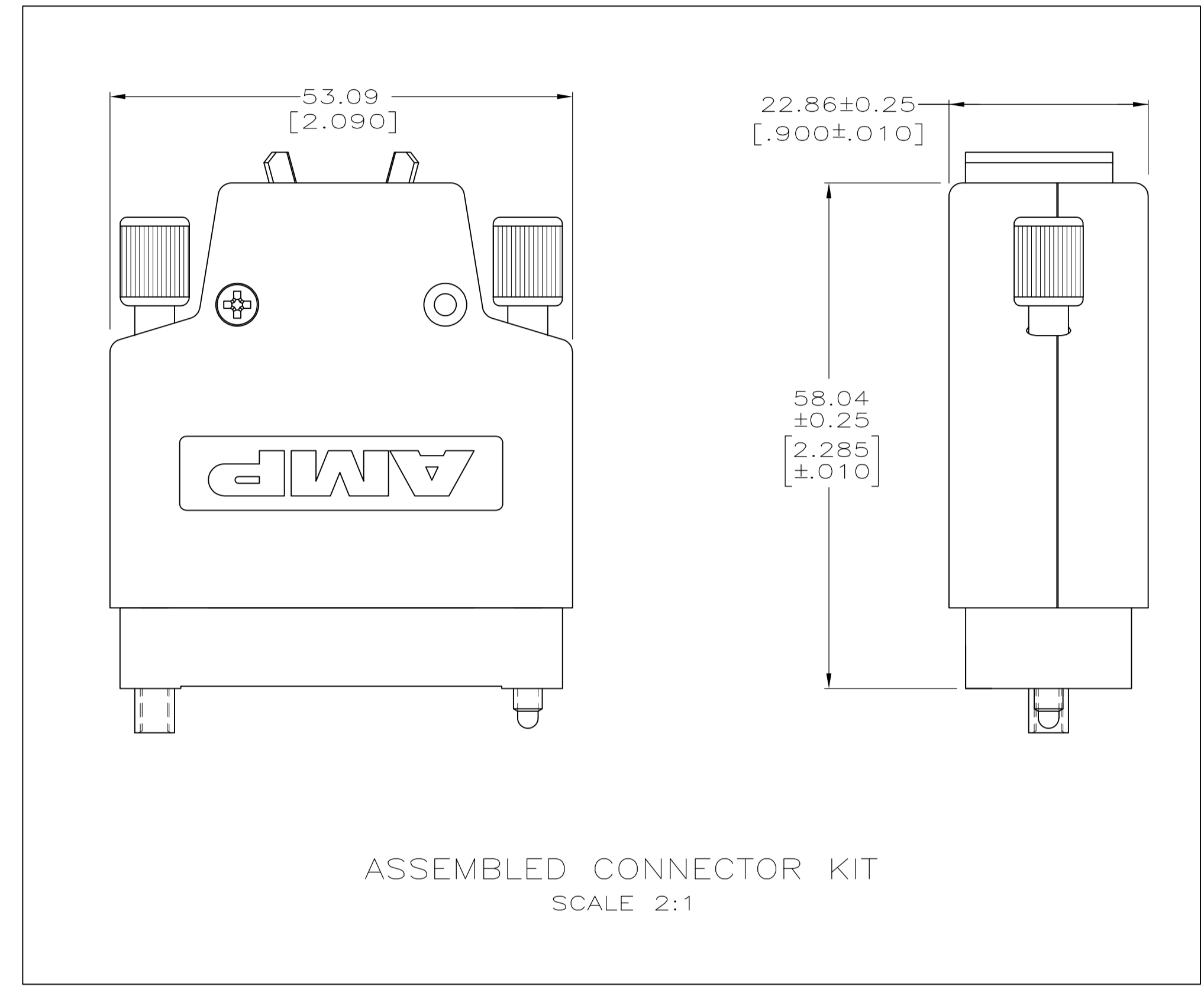
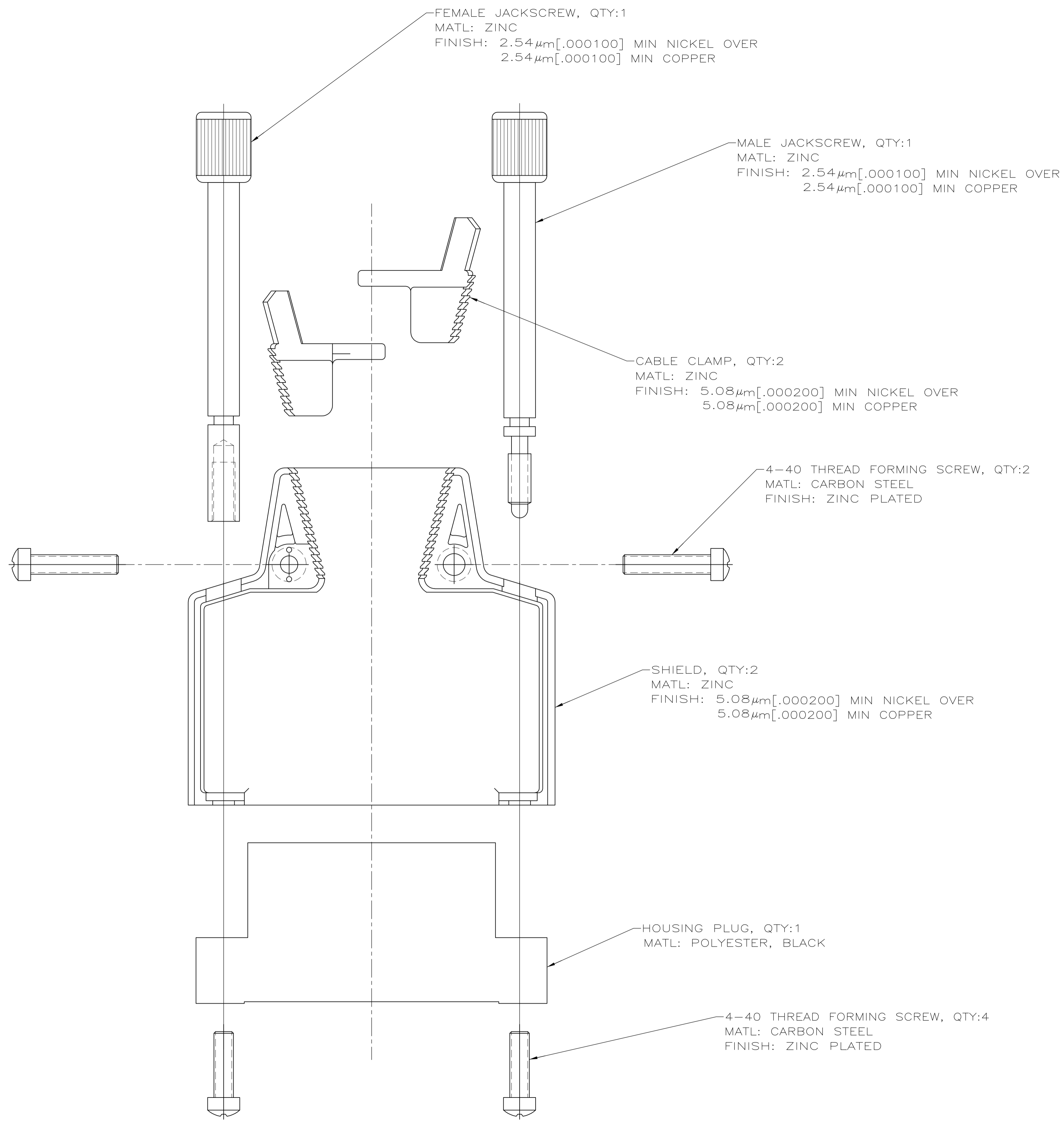


LOC	DIST	P	F	ZONE	LTR	DESCRIPTION	DATE	APPD
FT	8					RLSE -1 & -2 PER NPR 5124 WAS 94-7965-001-01 & -03	08-12-94	TC
						REV PER EC 0020-268-95	03/27/95	TC
						ADDED -3 PER EC 002-283-96	15 MAR 96	MM
						REV PER EC 0320-163-96	08 JAN 97	MM
						REVISED PER ECO-09-020689	27AUG09	KK AEC



1 OBSOLETE PARTS: OBSOLETE CIS STREAMLINING PER D.RENAUD/D.SINISI

1 OBSOLETE	CABLE DIAMETER	PART NO
10.16-15.24 [.400-.600]		213803-3
6.35-10.16 [.250-.400]		213803-2
3.81-7.62 [.150-.300]		213803-1

DO NOT SCALE PRINT. UNLESS SPECIFIED		DR 08-12-94 D.BROCKWAY		AMP Incorporated Harrisburg, PA 17105-3608	
DIMENSIONS IN mm [INCHES]		CHK 10-05-94 R.STONE			
TOLERANCES ON :		APPD 10-06-94 T.COULSON		NAME	
2 PLC DEC ± 0.13 [.005]		APPD 10-06-94 T.COULSON		CONNECTOR KIT, UNASSEMBLED, 34 POSITION, V.35, M SERIES	
3 PLC DEC ± -		APPD 10-06-94 T.COULSON		SIZE	
ANGLES ± -		PRODUCT SPEC		CAGE CODE	
SEE CALLOUTS		APPLICATION SPEC		DRAWING NO	
FINISH		WEIGHT		D	
SEE CALLOUTS		-		00779	
				213803	
				SCALE 3:1	
				SHEET 1 OF 1	