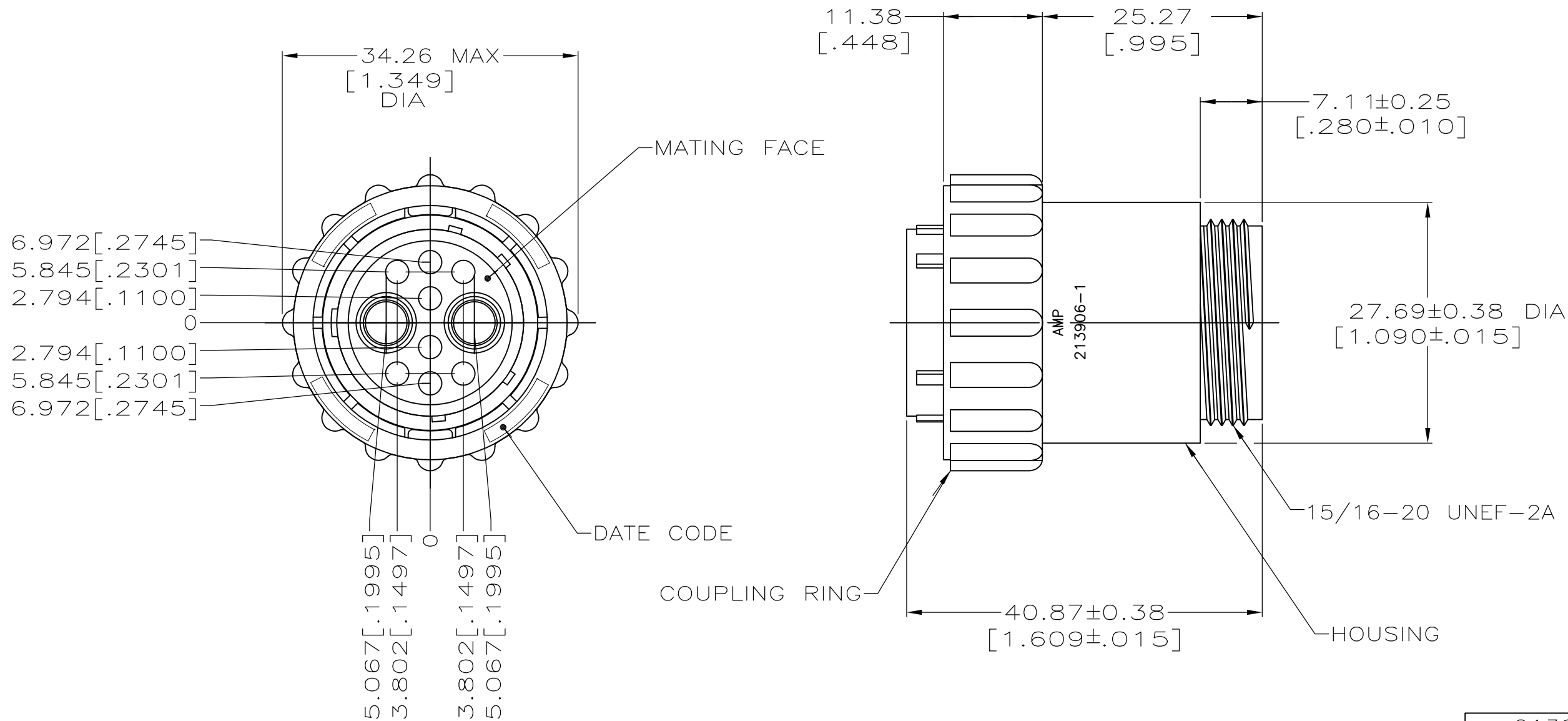


THIS DRAWING IS UNPUBLISHED. RELEASED FOR PUBLICATION
 © COPYRIGHT - By - ALL RIGHTS RESERVED.

LOC	DIST	REVISIONS			
P	LTR	DESCRIPTION	DATE	DWN	APVD
FT	0				
	D1	REVISED PER ECO-11-004917	11MAR11	RK	HMR



213906-1
PART NUMBER

⚠ HOUSING: GLASS FILLED NYLON, 6/6, BLACK
 COUPLING RING: POLYESTER, BLACK

THIS DRAWING IS A CONTROLLED DOCUMENT.		DWN D.HARDY 07/04/95		
DIMENSIONS: mm[INCHES]		CHK W.G.LENKER 07/05/95		
TOLERANCES UNLESS OTHERWISE SPECIFIED:		APVD A.FRANTUM 07/05/95	NAME PLUG ASSEMBLY, REVERSE SEX, 17-10, SERIES 6, CIRCULAR PLASTIC CONNECTOR	
		PRODUCT SPEC -	RESTRICTED TO -	
MATERIAL ⚠		FINISH -	APPLICATION SPEC -	SIZE A3
		WEIGHT -	DRAWING NO C-213906	CAGE CODE 00779
CUSTOMER DRAWING			SCALE 2:1	SHEET 1 of 1
			REV D1	