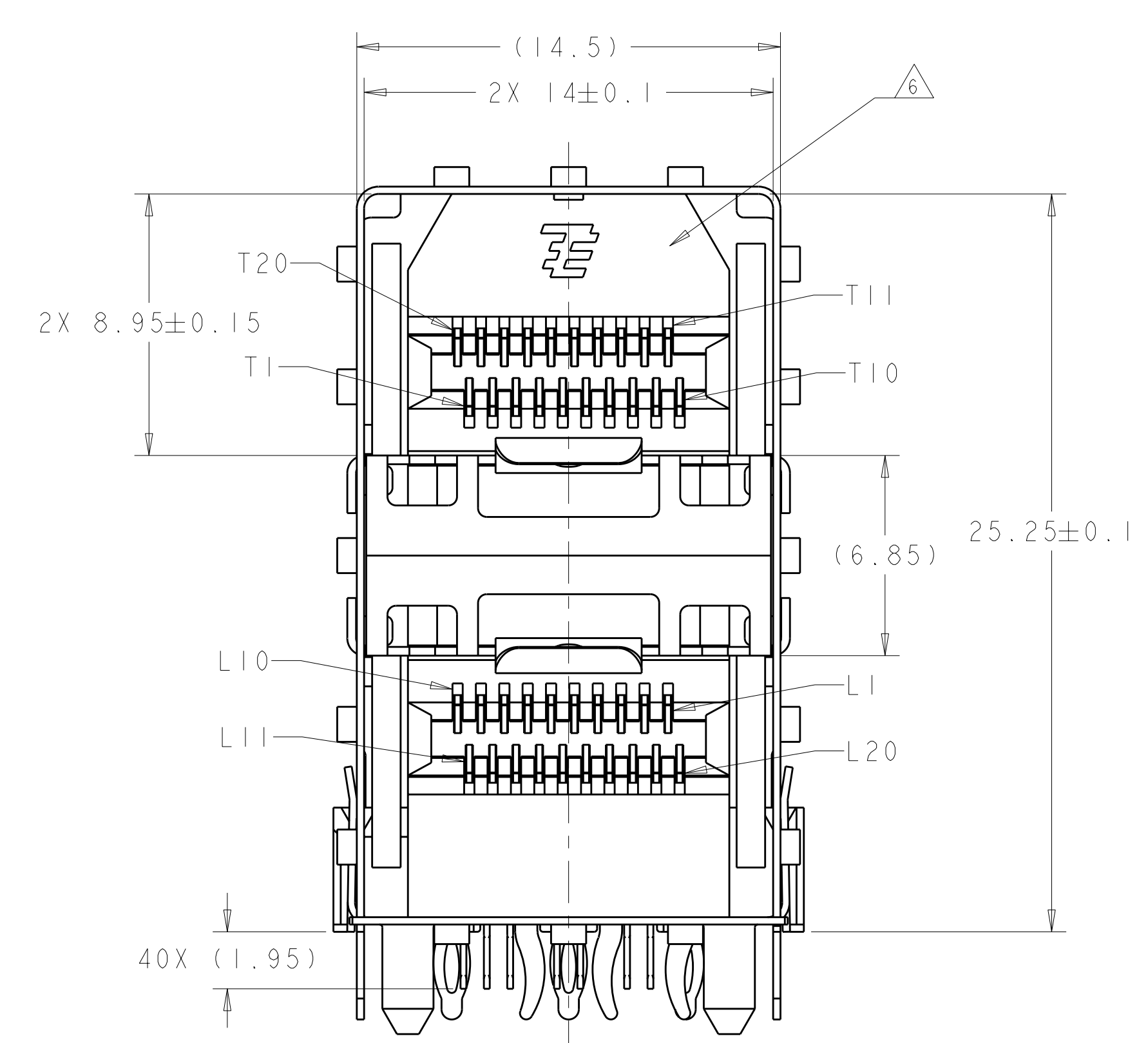
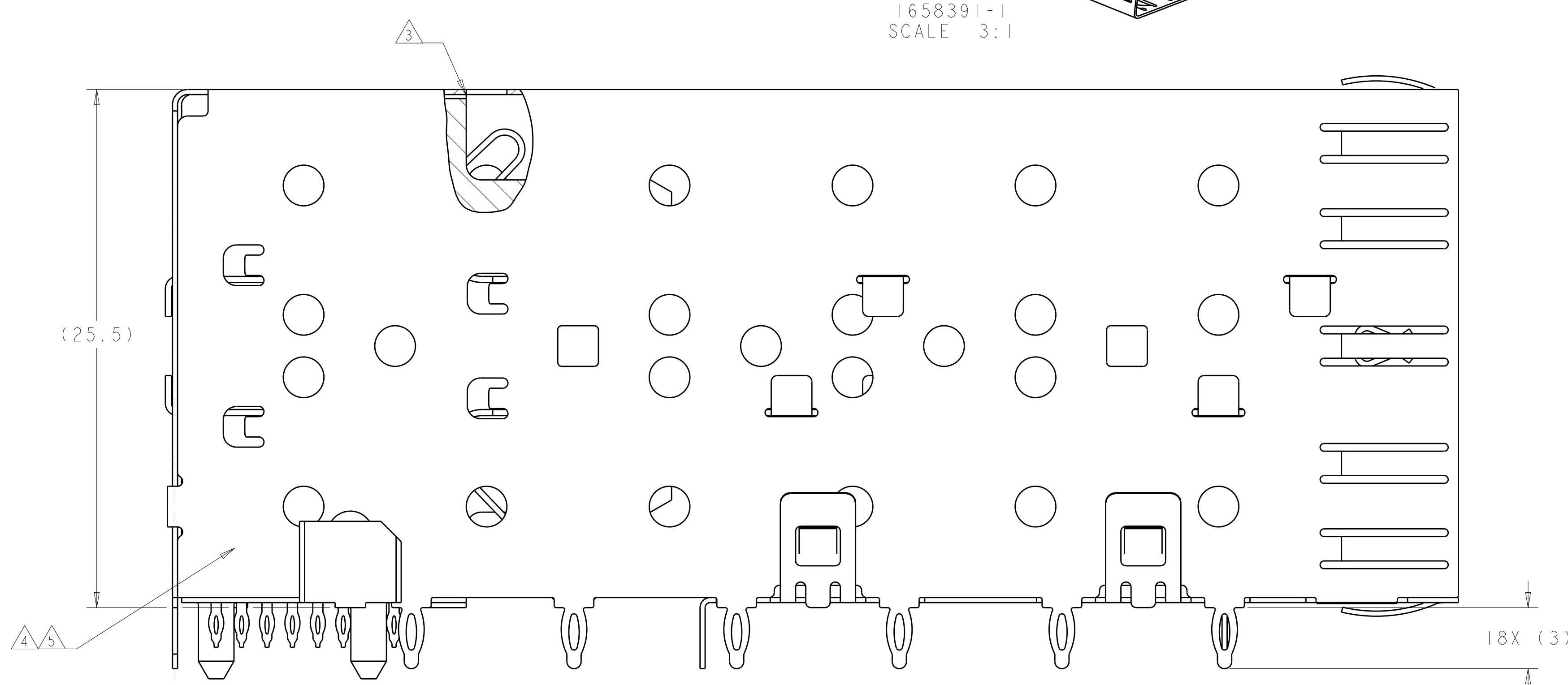
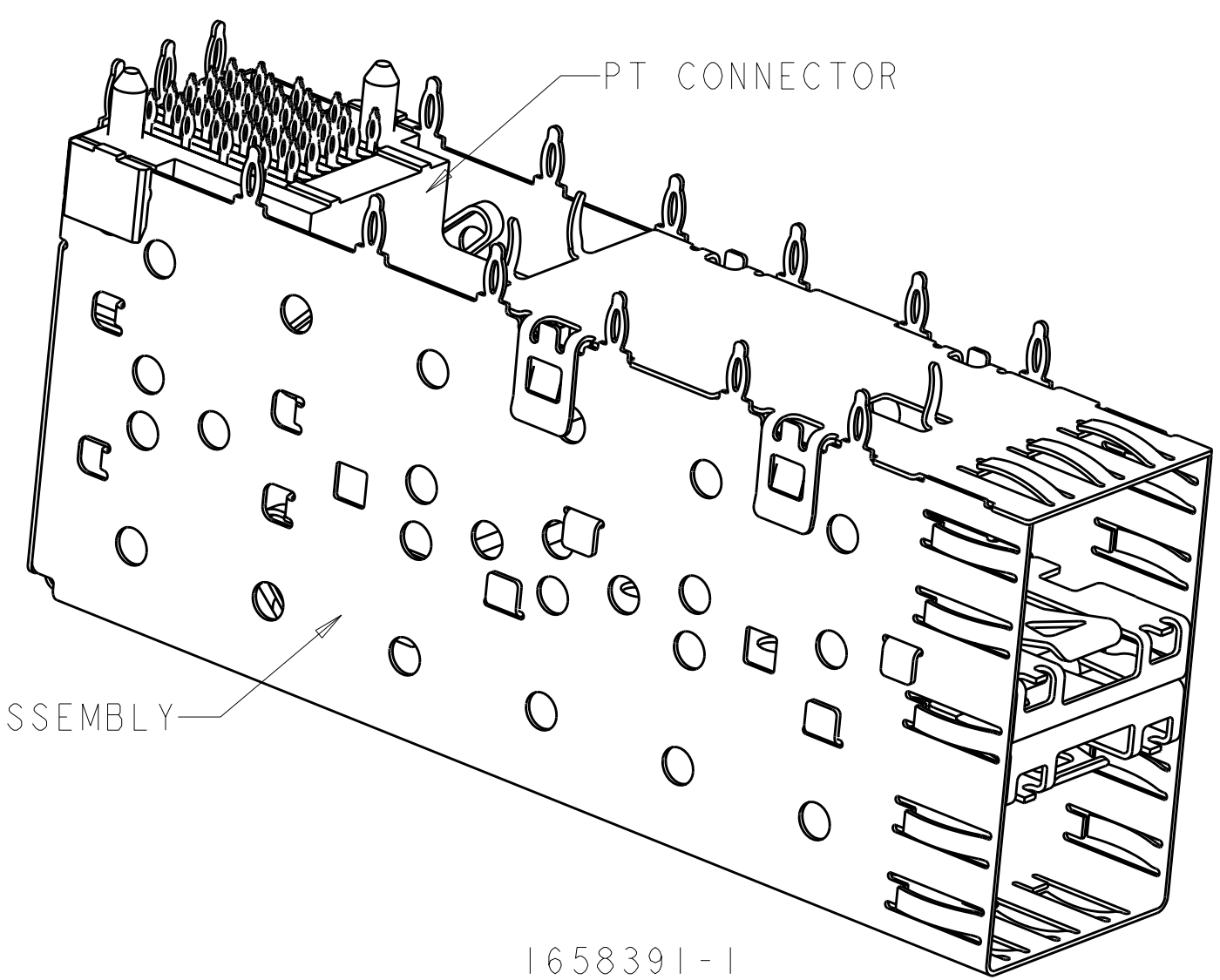
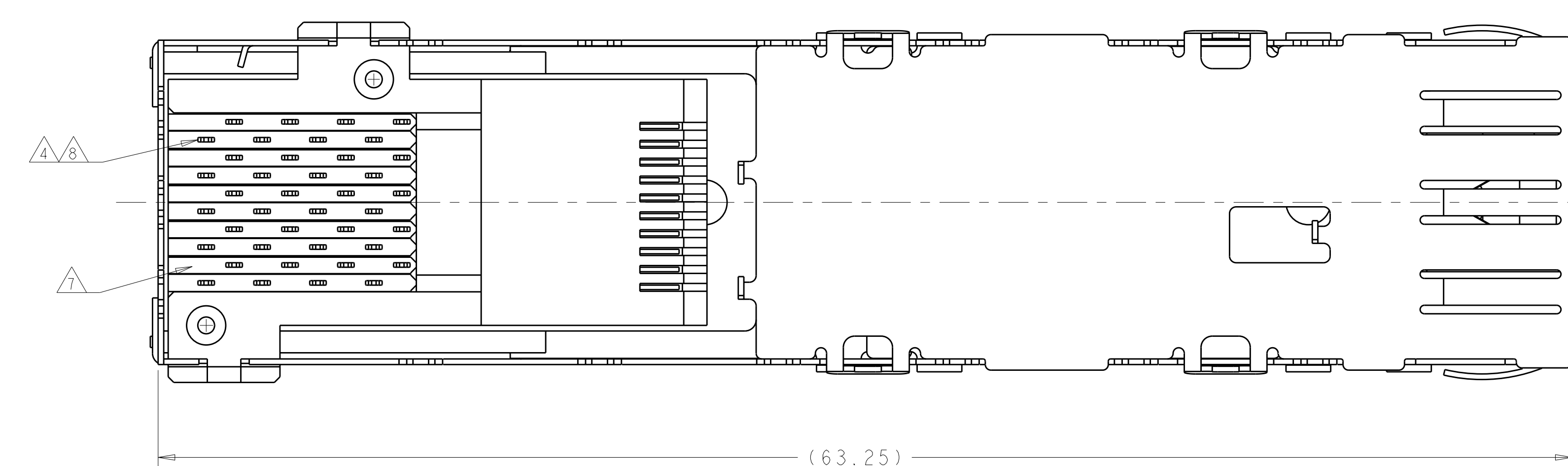


LOC		DIST		REVISIONS			
ES	00	REV	DATE	DESCRIPTION	DATE	DWN	APVD
		F1		REVISED PER ECO-11-005033	18MAR2011	RK	HMR



- △ DATUM AND BASIC DIMENSION TO BE DETERMINED BY CUSTOMER.
- △ INTERPRETATION OF DATUM REFERENCE FRAME IN ACCORDANCE WITH SECT 4.4.1.1 OF ASME Y14.5M-1994.
- △ TOP OF PT CONNECTOR TO BE 0-0.15 FROM INSIDE SURFACE OF CAGE.
- △ COPPER ALLOY.
- △ 1.25um MIN TIN PER ASTM B 545 OVER NICKEL FLASH PER QQ-N-290. NON-PLATED EDGES PERMISSIBLE.
- △ LCP, HIGH TEMPERATURE, UL 94V-0 RATED, BLACK.
- △ POLYESTER, UL 94V-0 RATED, BLACK.
- △ CONTACT MATING AREA: SURFACE TREATMENT OVER 0.76um MIN GOLD PER ASTM B 488 OVER 1.27um MIN NICKEL PER QQ-N-290. NEEDLE EYE: 1.25um MIN TIN PER ASTM B 545 OVER 1.27um MIN NICKEL PER QQ-N-290. REMAINDER OF CONTACT: 0.76um MIN NICKEL PER QQ-N-290.



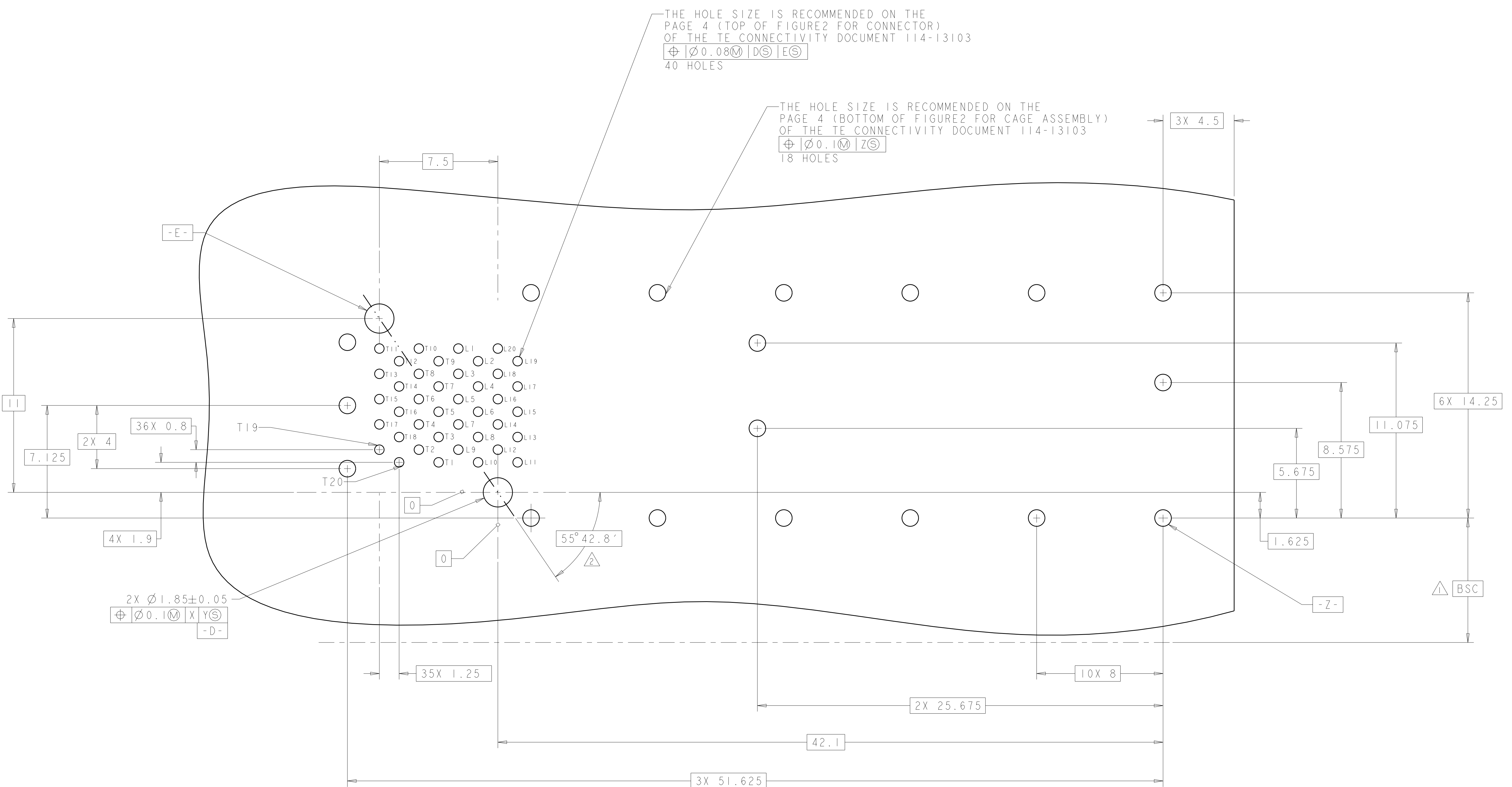
1658391-1  
PART NUMBER

THIS DRAWING IS A CONTROLLED DOCUMENT.		DWN: M. COWHER 25MAR03	TE Connectivity
DIMENSIONS: mm		CHK: J. KOPPENHEFFER 23JAN04	
TOLERANCES UNLESS OTHERWISE SPECIFIED:		APVD: M. WALMSLEY 23JAN04	NAME: CAGE AND PT CONNECTOR ASSEMBLY, 2x1, PRESS FIT, STANDARD PROFILE, SFP
0 PLC ± 1 PLC ±0.1 2 PLC ± 3 PLC ± 4 PLC ± ANGLES ± FINISH ±		PRODUCT SPEC: 108-2161	SIZE: CAGE CODE DRAWING NO: A100779
MATERIAL:		APPLICATION SPEC: 114-13103	RESTRICTED TO: -
		WEIGHT: -	SCALE: 2:1 SHEET 1 OF 3 REV: F1
		CUSTOMER DRAWING	

LOC	DIST	REV	DATE	BY	APPV
ES	00				

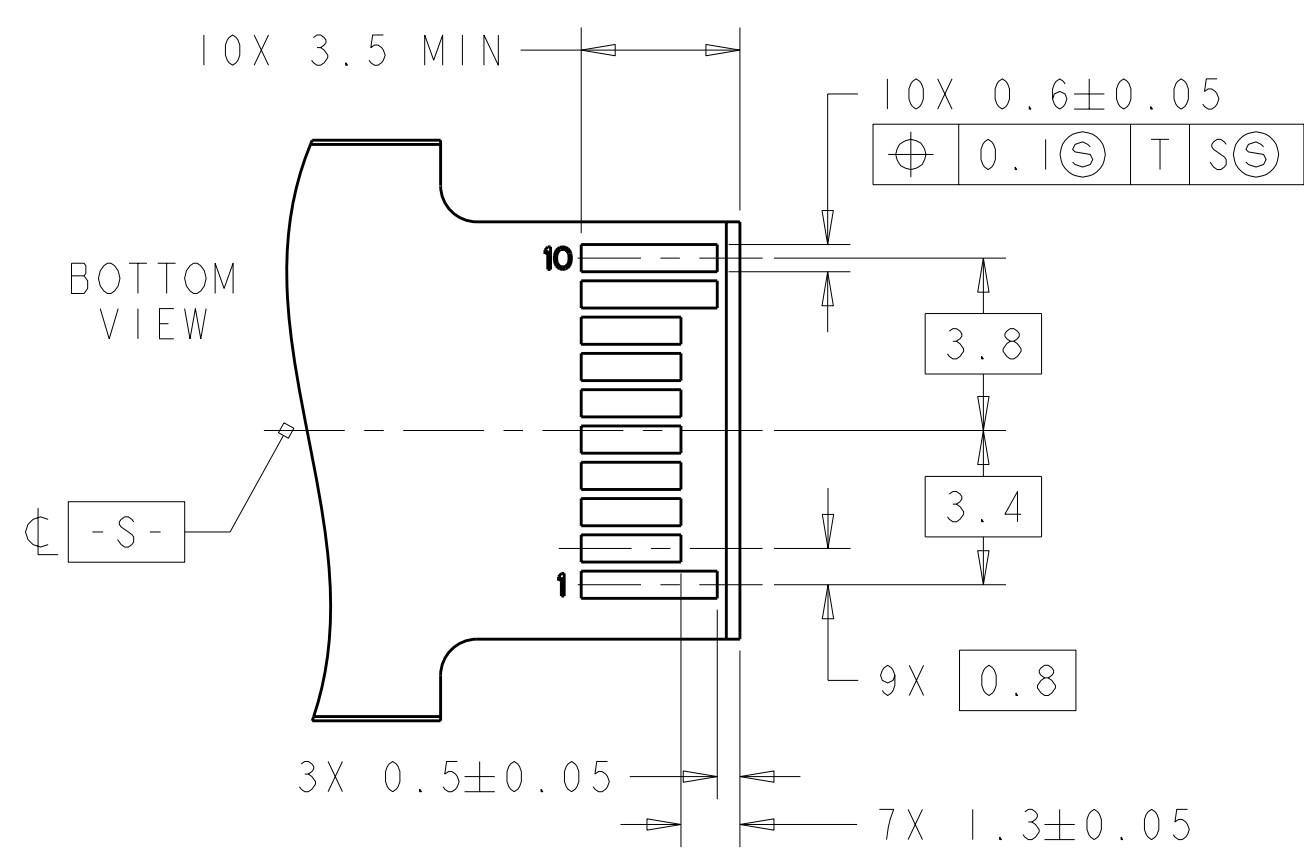
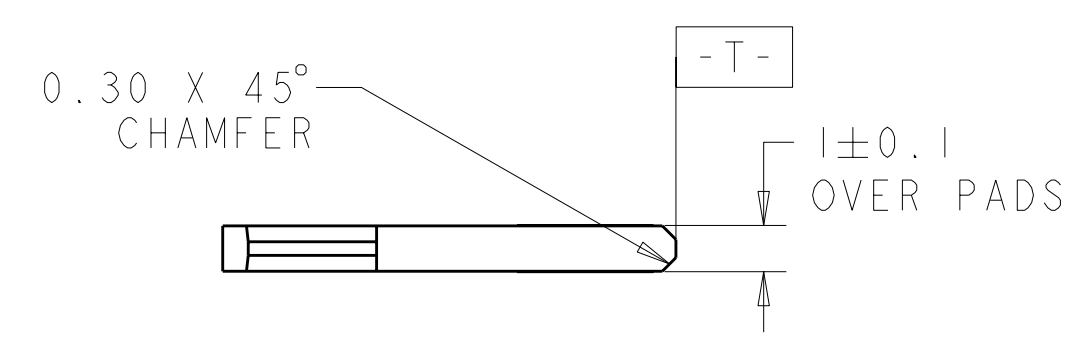
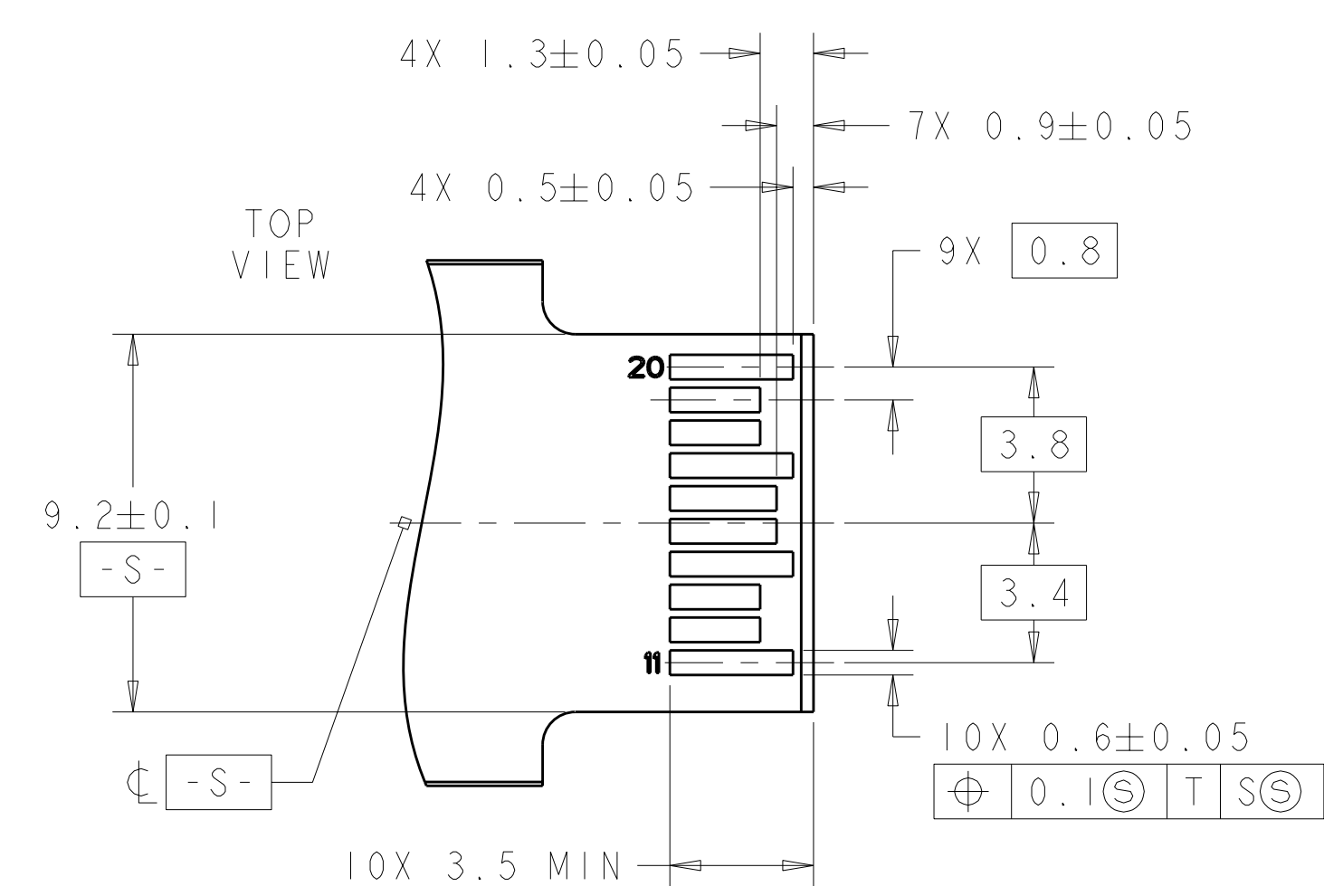
REVISIONS					
NO.	DESCRIPTION	DATE	BY	APPV	
1	SEE SHEET 1				



SFP HOST BOARD  
 MECHANICAL LAYOUT  
 SCALE 8:1

THIS DRAWING IS A CONTROLLED DOCUMENT.		DWN: M. COWHER 25MAR03	TE Connectivity
DIMENSIONS: mm		CHK: J. KOPPENHEFFER 23JAN04	
TOLERANCES UNLESS OTHERWISE SPECIFIED:		APVD: M. WALMSLEY 23JAN04	NAME: CAGE AND PT CONNECTOR ASSEMBLY, 2x1, PRESS FIT, STANDARD PROFILE, SFP PRODUCT SPEC: 108-2161 APPLICATION SPEC: 114-13103 SIZE: CAGE CODE DRAWING NO: A100779C=1658391 RESTRICTED TO:
0 PLC ± 1 PLC ±0.1 2 PLC ± 3 PLC ± 4 PLC ± ANGLES ± FINISH ±		WEIGHT: CUSTOMER DRAWING	
MATERIAL:		SCALE: 2:1	
		SHEET 2 OF 3	

LOC		DIST		REVISIONS			
ES	00	REV	DATE	DESCRIPTION	DATE	DWN	APVD
		-		SEE SHEET 1			



RECOMMENDED LAYOUT FOR  
 MATING TRANSCEIVER PCB  
 SCALE 6:1

THIS DRAWING IS A CONTROLLED DOCUMENT.		DWN M. COWHER	25MAR03		TE Connectivity	
DIMENSIONS: mm		CHK J. KOPPENHEFFER	23JAN04		NAME CAGE AND PT CONNECTOR ASSEMBLY, 2x1, PRESS FIT, STANDARD PROFILE, SFP	
TOLERANCES UNLESS OTHERWISE SPECIFIED:		APVD M. WALMSLEY	23JAN04	PRODUCT SPEC 108-2161		SIZE A100779
9 PLC ± 2 PLC ±0.1 3 PLC ± 4 PLC ±		APPLICATION SPEC 114-13103		DRAWING NO C=1658391		RESTRICTED TO
MATERIAL		WEIGHT		CUSTOMER DRAWING		SCALE 1:1 SHEET 3 OF 3 REV F