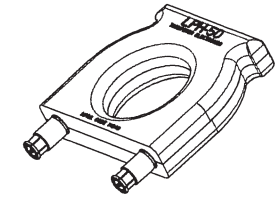
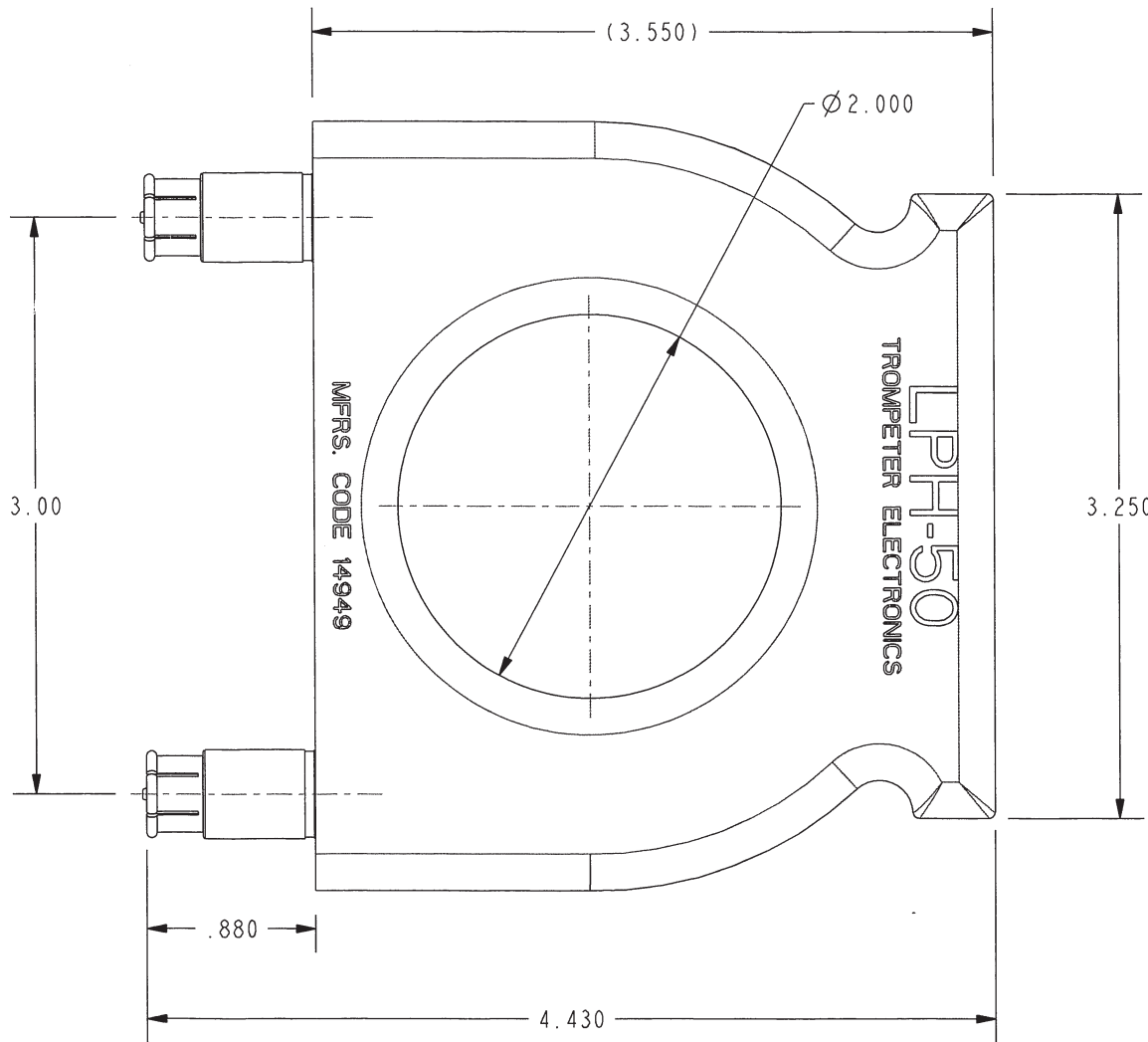


DASH NO	IMP VALUE	COLOR CODE	MOD NO
-1	50 OHMS	GREEN	LPH-50

DATA CONTAINED IN THIS DOCUMENT IS PROPRIETARY TO TROMPETER ELECTRONICS INC. AND SHALL NOT BE DISCLOSED, COPIED OR USED FOR PROCUREMENT OR MANUFACTURE WITHOUT EXPRESS WRITTEN PERMISSION.

REVISIONS			
REV	DESCRIPTIONS	DATE	APPROVED
C	REVISED PER ECO 16595	7/15/08	<i>[Signature]</i>



SCALE 1/4

RED INDICATES ORIGINAL

1. FINISH: PLUGS, TFS-1A (NICKEL)
HANDLE, SEE COLOR CODE IN CHART

NOTES: UNLESS OTHERWISE SPECIFIED.

INTERPRET DRAWING PER MIL-STD-100. DIMENSIONS ARE IN INCHES AND INCLUDE FINISH THICKNESS UNLESS OTHERWISE SPECIFIED.		TOL: UNLESS SPECIFIED. .XX ± .060 .XXX ± .030 .XXXX ± .010 ANGLE ± 1° 00' CRITICAL					
DRN M JOHNSON CHN JM QUANTITY MANUF APPROVED Em PROJE FILE NO. 1-0422	3-26-08 6-23-08 7/15/08	MATERIAL: FINISH:	TITLE: LPH	SIZE A	CAGE CODE 14949	DRAWING NO. 1-0422	REV. C
NEXT ASSY	DO NOT SCALE DWG	SCALE 1/1	DATE 8-21-75	SHEET IC			