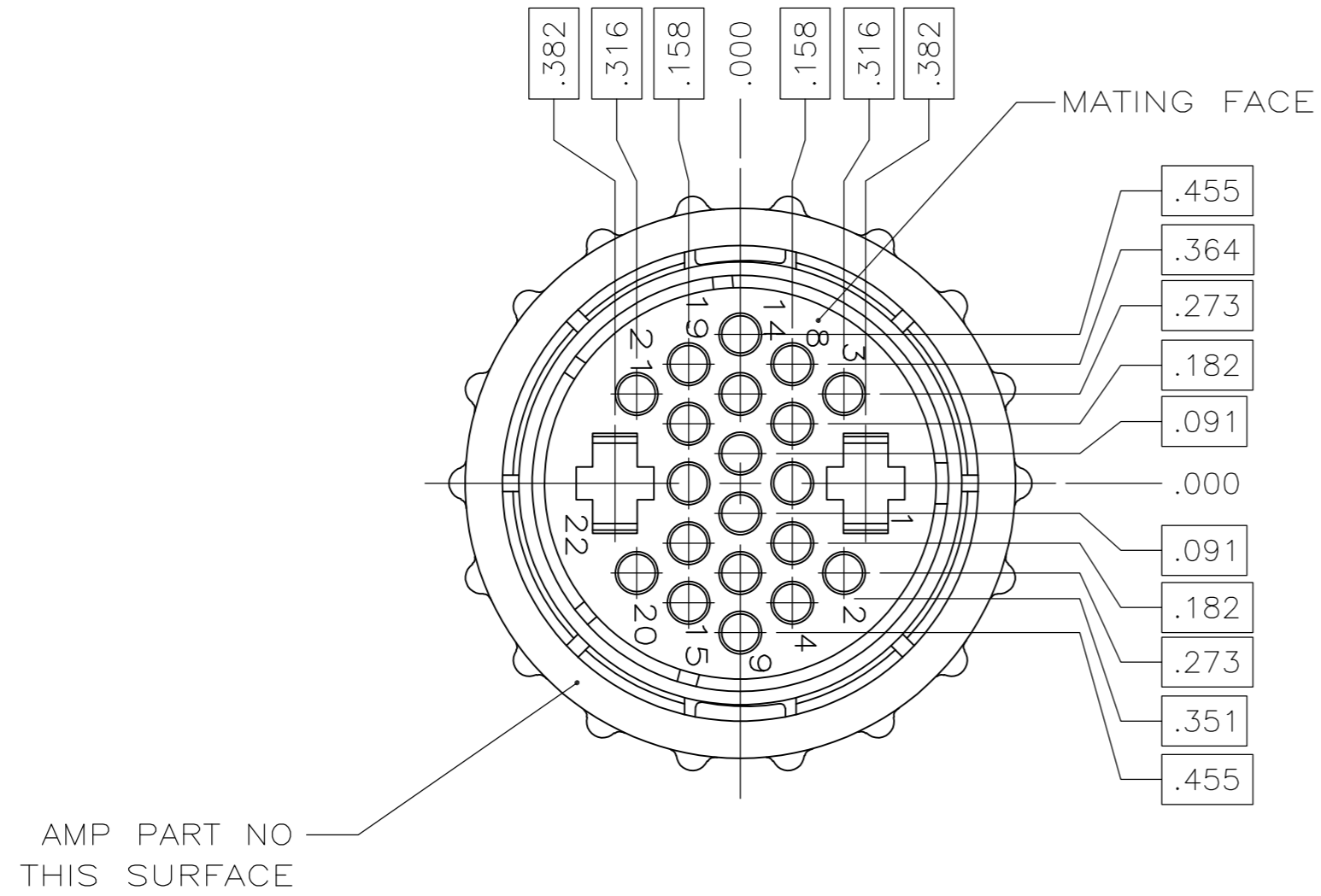
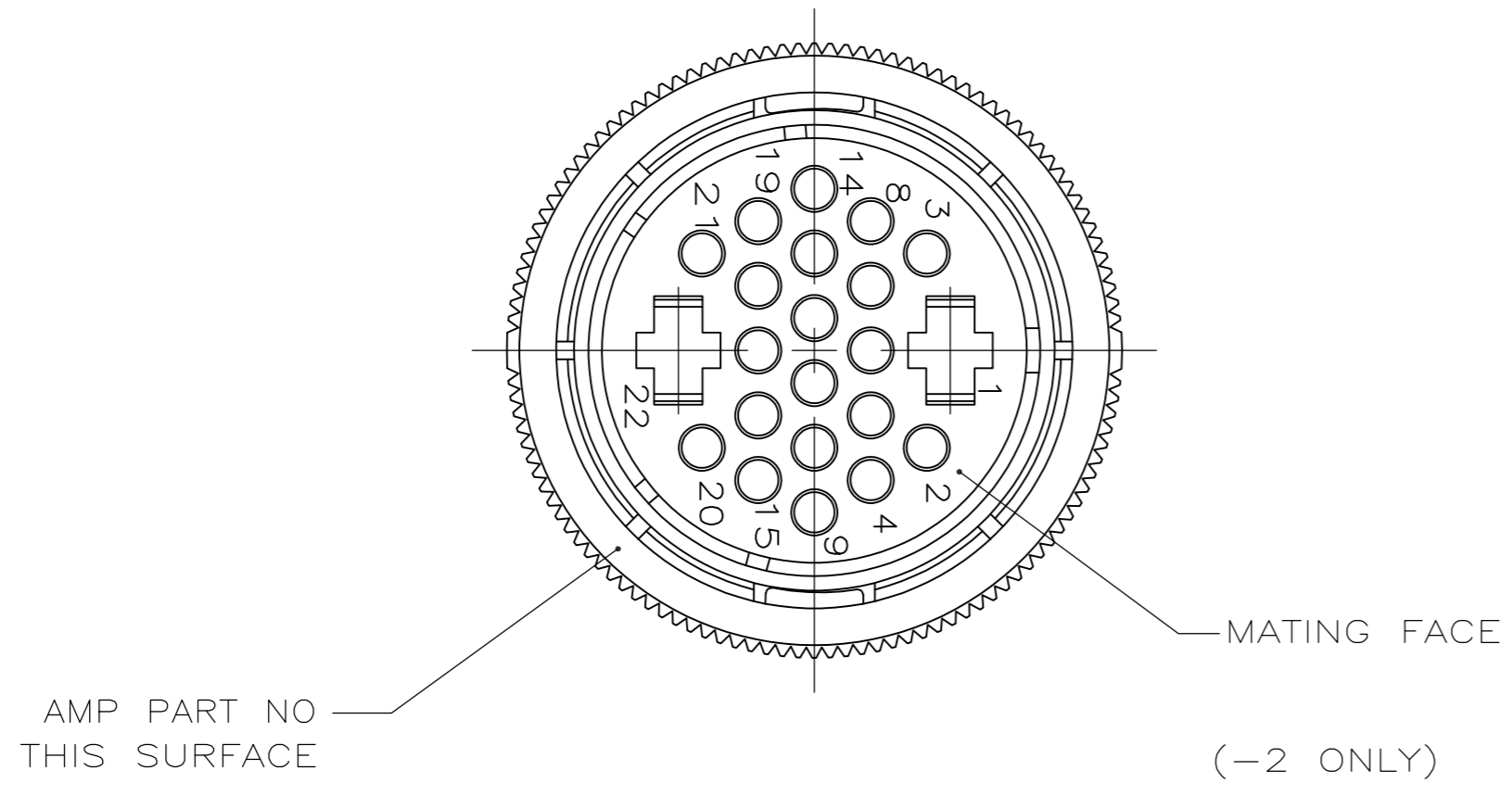


THIS DRAWING IS UNPUBLISHED. RELEASED FOR PUBLICATION
 © COPYRIGHT - By - ALL RIGHTS RESERVED.

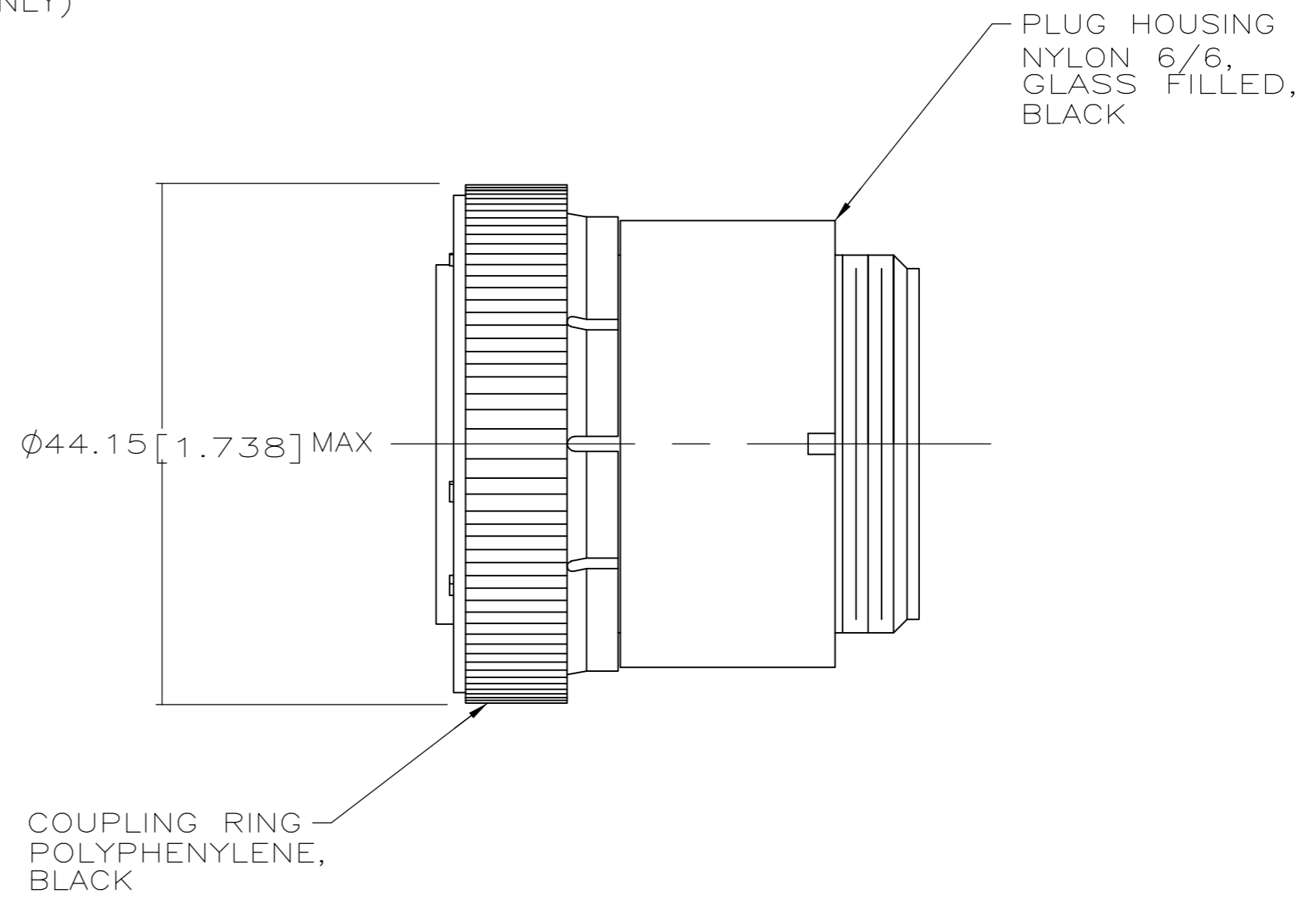
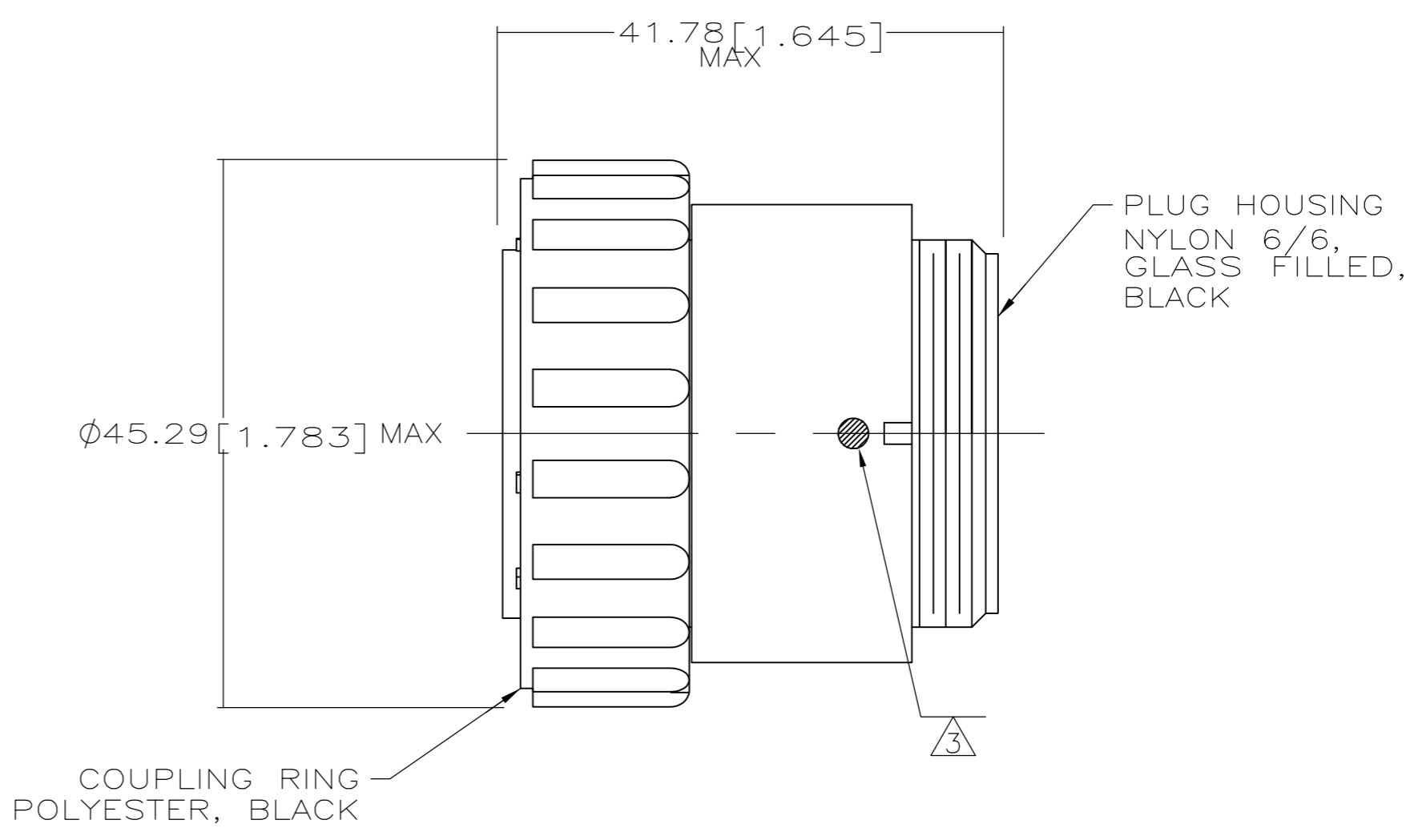
LOC		DIST		REVISIONS			
P	LTR	DESCRIPTION	DATE	DWN	APVD		
FT	0						
G1		REVISED PER ECO-11-004820	11MAR11	RK	HMR		



(-1 AND -3 ONLY)



(-2 ONLY)



- NOTES:**
- CONTACT CAVITIES IDENTIFIED BY CHARACTERS ON FRONT AND REAR FACES OF CONNECTOR.
 - WILL ACCEPT (20) MULTIMATE & (2) TYPE XII SOCKET CONTACTS.
- ⊕ WHITE DOT ONLY APPEARS ON 206612-3 ASSEMBLY.
- ⊠ PRELIMINARY PART NUMBER.

⊠	206612-3
	206612-2
	206612-1
PART NUMBER	

THIS DRAWING IS A CONTROLLED DOCUMENT.		DWN	S. RIDGLEY BG	31 JUL 90		TE Connectivity						
DIMENSIONS: INCHES		CHK	R. STONE	26 APR 91		NAME						
TOLERANCES UNLESS OTHERWISE SPECIFIED:		APVD	K. BEAVER	03 APR 91		PRODUCT SPEC						
0 PLC ± - 1 PLC ± - 2 PLC ± - 3 PLC ± - 4 PLC ± - ANGLES ± - FINISH -		APPLICATION SPEC		108-10024								
MATERIAL SEE CALLOUT		WEIGHT	-		SIZE	A2	CAGE CODE	00779	DRAWING NO	C=206612	RESTRICTED TO	-
CUSTOMER DRAWING					SCALE	2:1		SHEET	1 of 1		REV	G1